



CJ Rush Swing Door

- Concealed door closer
- Snap on covers with no visible screws in framing
- Tempered glass doors
- Concealed in header, access-controlled operator with push buttons
- Custom dimensions available in many sizes
- Transom and sidelite options available



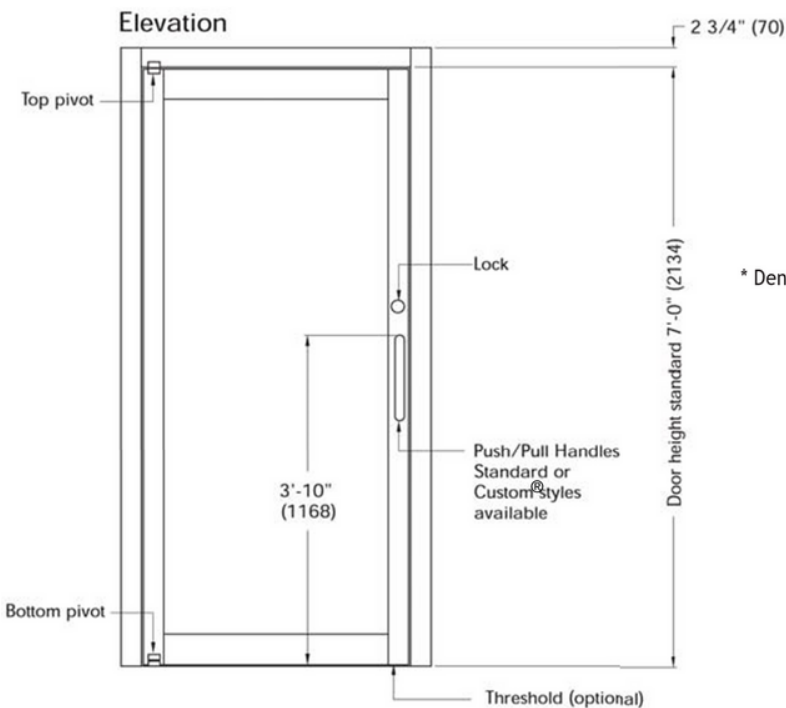
CJ Rush Swing Door

High quality swing doors designed for long-lasting performance in high traffic areas

All specifications are subject to change.



- Center pivot, hinged or offset pivot
- Locking
- Panic exit devices
- Automatic operators - Stanley magic force
- Optional handles
- Special glass

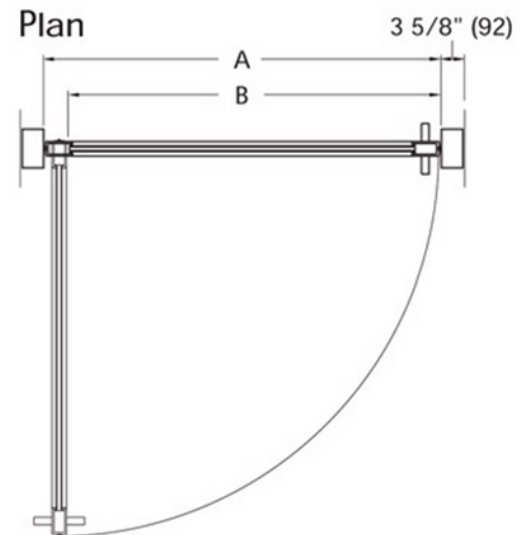


Standard Door Dimensions	
A Door Opening Width	B – Clear Opening Width
* 3' – 0" (914)	2'-8 3/8" (822)
* 3' – 6" (1067)	3'-2 3/8" (975)

Custom Dimensions are available in almost any size.

* Denotes standard size doors in 7'-0" (2134) height. All other sizes and heights are custom fabricated and finished to suit specific job requirements.

- Series 10, 30, 40, 60 available
- Heavy duty door closers
- Standard handles
- 1/4" (6 mm) tempered glass for fully framed doors
- Custom dimensions available in many sizes
- 1/2" (12 mm) laminated glass for all glass doors



All specifications are subject to change.