



CJ Rush

Balanced Door

- Heavy duty balanced door arms and shaft match door finish
- Pivot points use self-aligning ball and needle combination bearings
- Full perimeter framing (Series 2000) or frameless (Series 3000 exposed shaft) designs
- Custom push/pull handles
- Heavy duty door extrusions and corner connections
- Tempered glass doors
- Specialty finishes, including many cladding options
- Custom sizes, door rails and stiles available

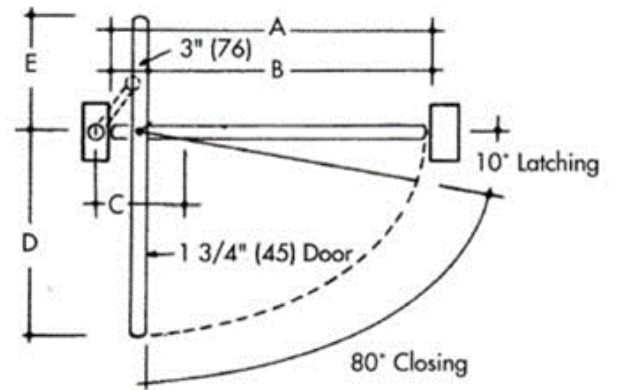


CJ Rush Balanced Door

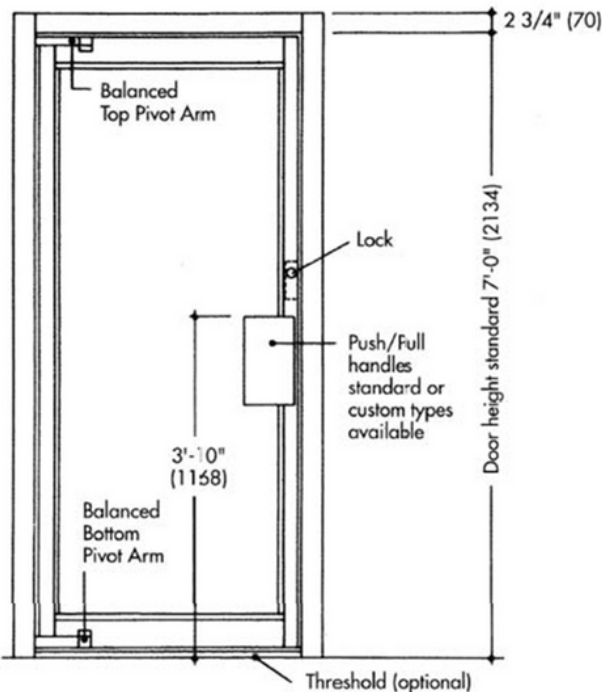
Ideal for applications where wind pressure or building stack effect occurs

All specifications are subject to change.

- All glass door design
- Narrow, medium or wide stiles
- Specialty hardware and locking devices
- Stainless steel cladding or other specialty metals
- Paint finishes also available
- Custom dimensions available in many sizes
- Transom and side-lite options available
- Magic force automatic operator
(overhead concealed in 6 inch headers)
- Hold open slide bolts



Elevation:



Standard Door Dimensions				
Door Opening Width - A	Clear Opening Width - B	Balance Arm Length - C	Projection Dimensions D	Dimensions E
* + 3' - 0" (914)	2' - 9" (838)	8" (203)	1' - 10" (559)	1' - 2" (356)
* 3' - 6" (1067)	3' - 3" (991)	8" (203)	2' - 4" (711)	1' - 2" (356)

Custom Dimensions are available in almost any size.

* Denotes standard size doors in 7'-0" (2134) height. All other sizes and heights are custom fabricated and finished to suit specific job requirements.

+ minimum width

All specifications are subject to change.