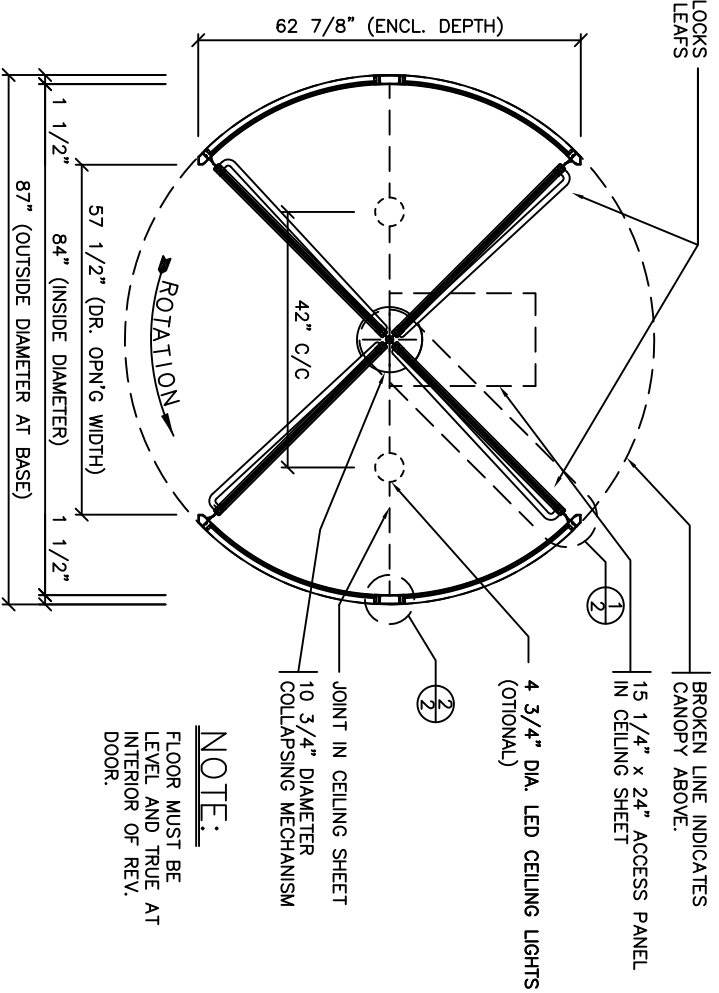


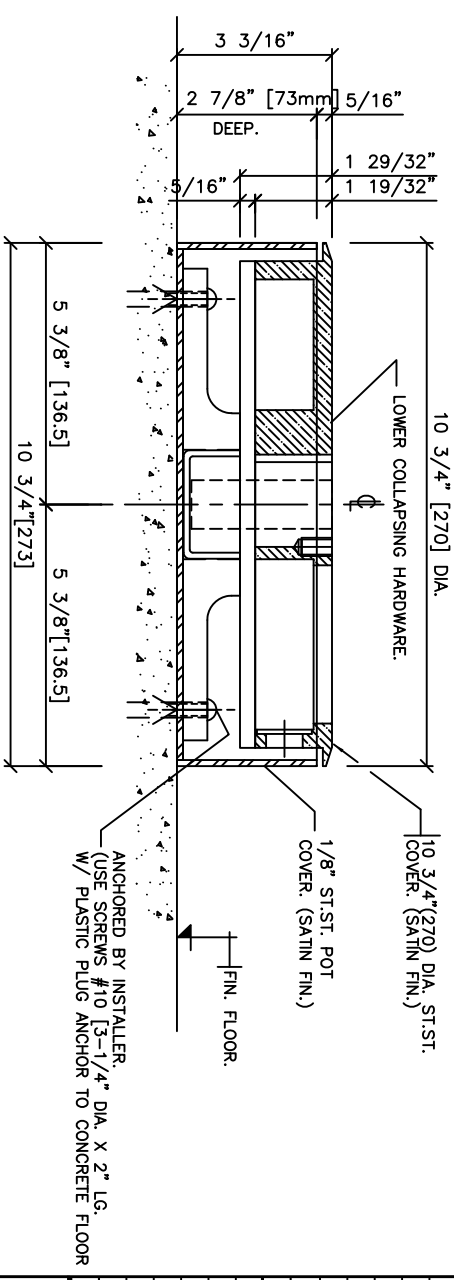
REVOLVING DOOR ENTRANCE ELEVATION
1 REQUIRED



REVOLVING DOOR ENTRANCE PLAN

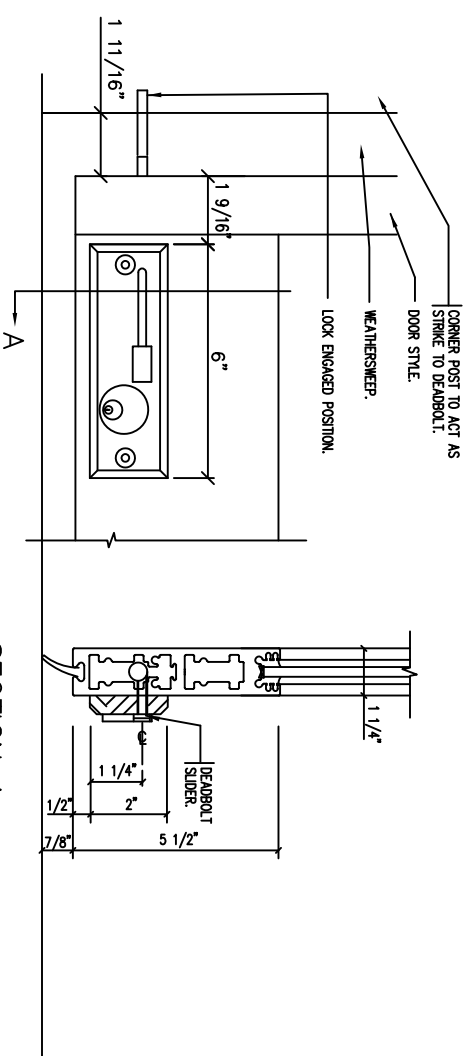
CUSTOMER NOTE:
PROVIDE FINISH: CLEAR ANODIZED
CURVED GLASS TINT= CLEAR
DR. WG. GLASS TINT= CLEAR
SPEED CONTROL= O/H MANUAL

NOTE:
GENERAL CONTRACTOR TO PROVIDE 110V 15AMP. POWER SUPPLY TO REV. DOOR CEILING LIGHTS INCLUDING ALL WIRING AND ACCESSORIES.



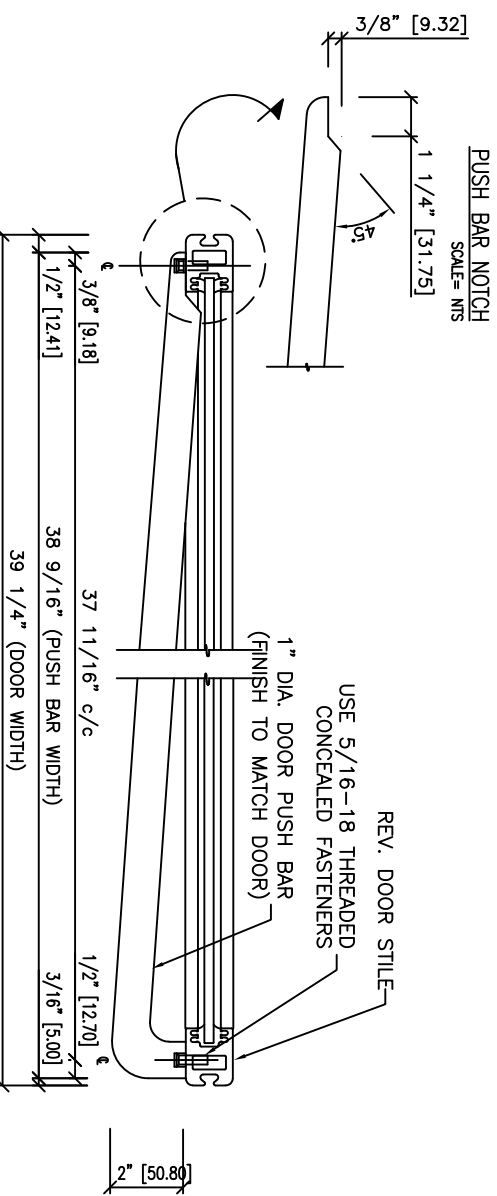
DETAIL - 4 WING EXPOSED LOWER COLLAPSING MECH.

NOT TO SCALE



STD. DEADBOLT DETAILS

SCALE: NONE



1" DIA. PUSH BAR DETAIL

Date	REVISIONS	By	Issue
No.	ISSUED	Date	

IMPORTANT NOTICE

- C.J. Rush wishes to bring to your attention the following for which we assume **NO RESPONSIBILITY**:
- (1) The use of these drawings by other parties is the sole responsibility of that party as to site conditions, measurements, etc.
 - (2) Movement of structures by forces causing mis-alignment and improper function of our product.
 - (3) Results of glass breakage causing bodily harm through improper use or mischief.

SPECIAL REFERENCE NOTE

Very often the method of manufacturing as shown on these shop drawings are a development of the skills of the company. Any reproduction and/or distribution in whole or in part, without expressed or written consent is strictly prohibited.

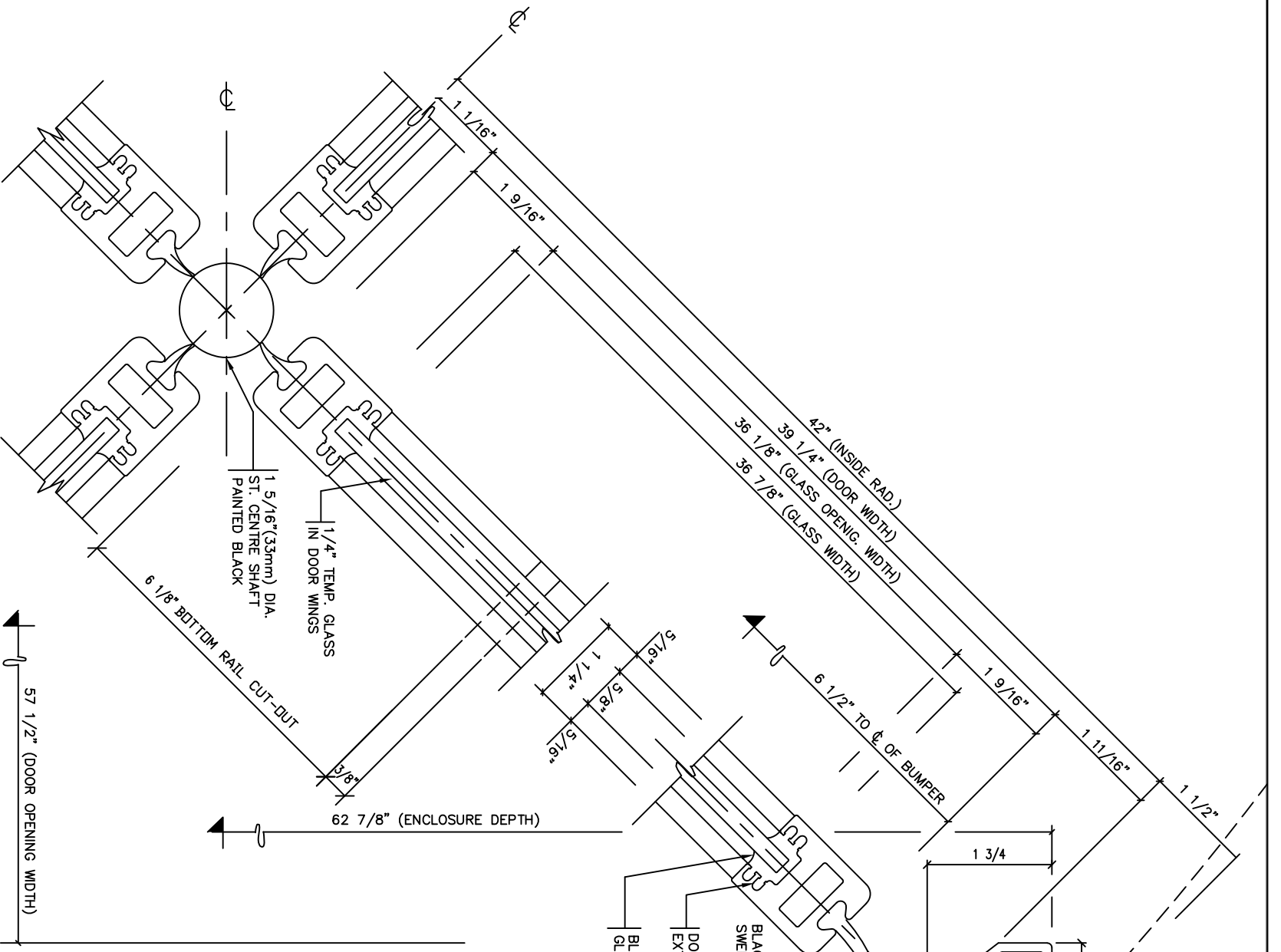
C.J. Rush



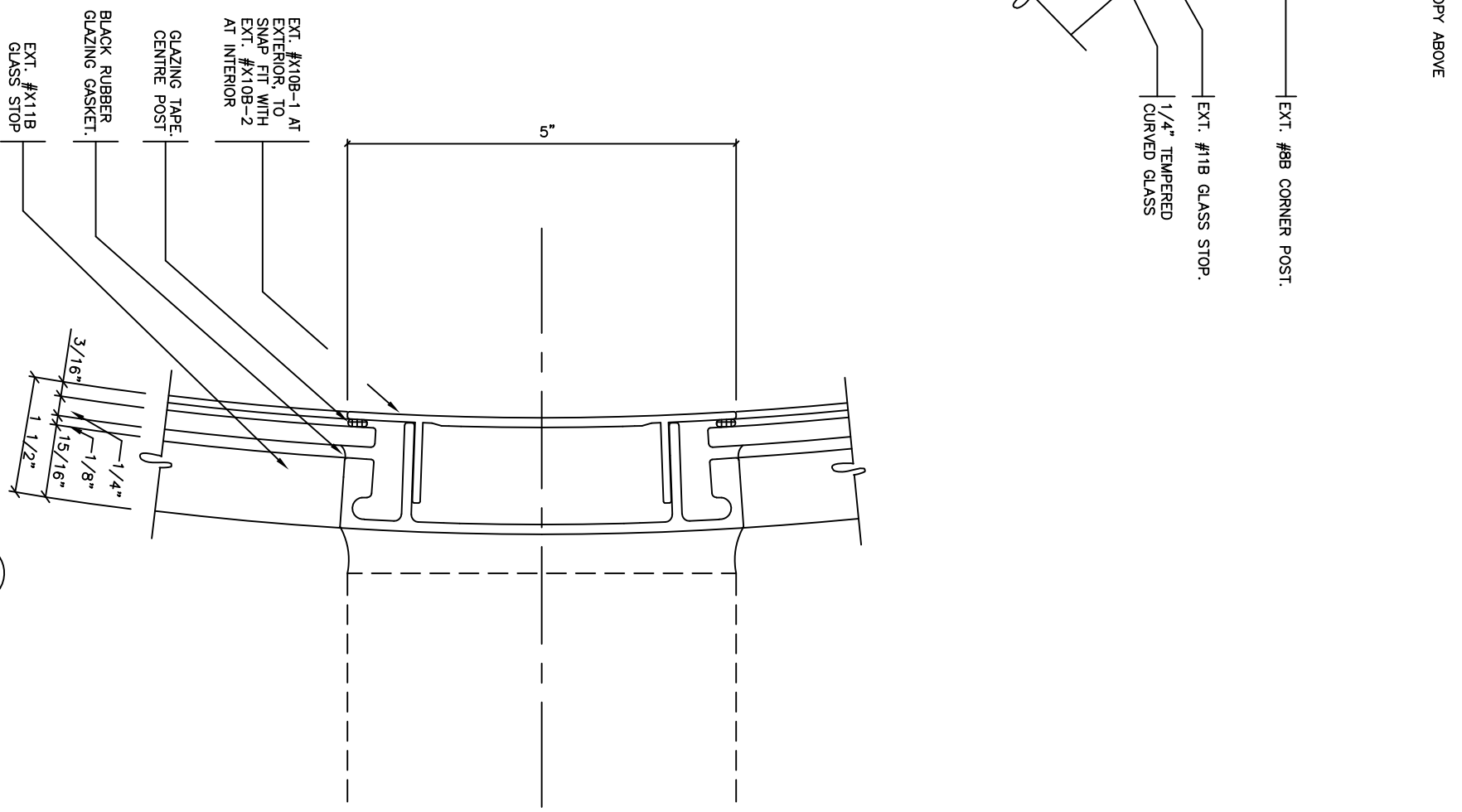
65 RIVERA DRIVE
MARKHAM, ONT.
CANADA, L3R 5J6
Tel: 888-301-5407
905-944-8005
Fax: 905-944-8006

**500 SERIES
REVOLVING DOOR
PLAN/ELEV/DETAILS**

BUILDING	
LOCATION	
ARCH-ENG.	
CONTRACTOR	
Drawn by	Job No.
Checked by	
Scale	
Date	Dwg. No.
Finish	01



1 SECTION



2 SECTION

Date	REVISIONS	By	Issue
No.	ISSUED	Date	

IMPORTANT NOTICE

C.J. Rush wishes to bring to your attention the following, for which we assume **NO RESPONSIBILITY**:

- (1) The use of these drawings by other parties is the sole responsibility of that party as to site conditions, measurements, etc..
- (2) Movement of structures by forces causing mis-alignment and improper function of our product.
- (3) Results of glass breakage causing bodily harm through improper use or mischief.

SPECIAL REFERENCE NOTE

Very often the method of manufacturing as shown on these shop drawings are a development of the skills of the company. Any reproduction and or distribution in whole or in part, without express or written consent is strictly prohibited.

C.J. Rush

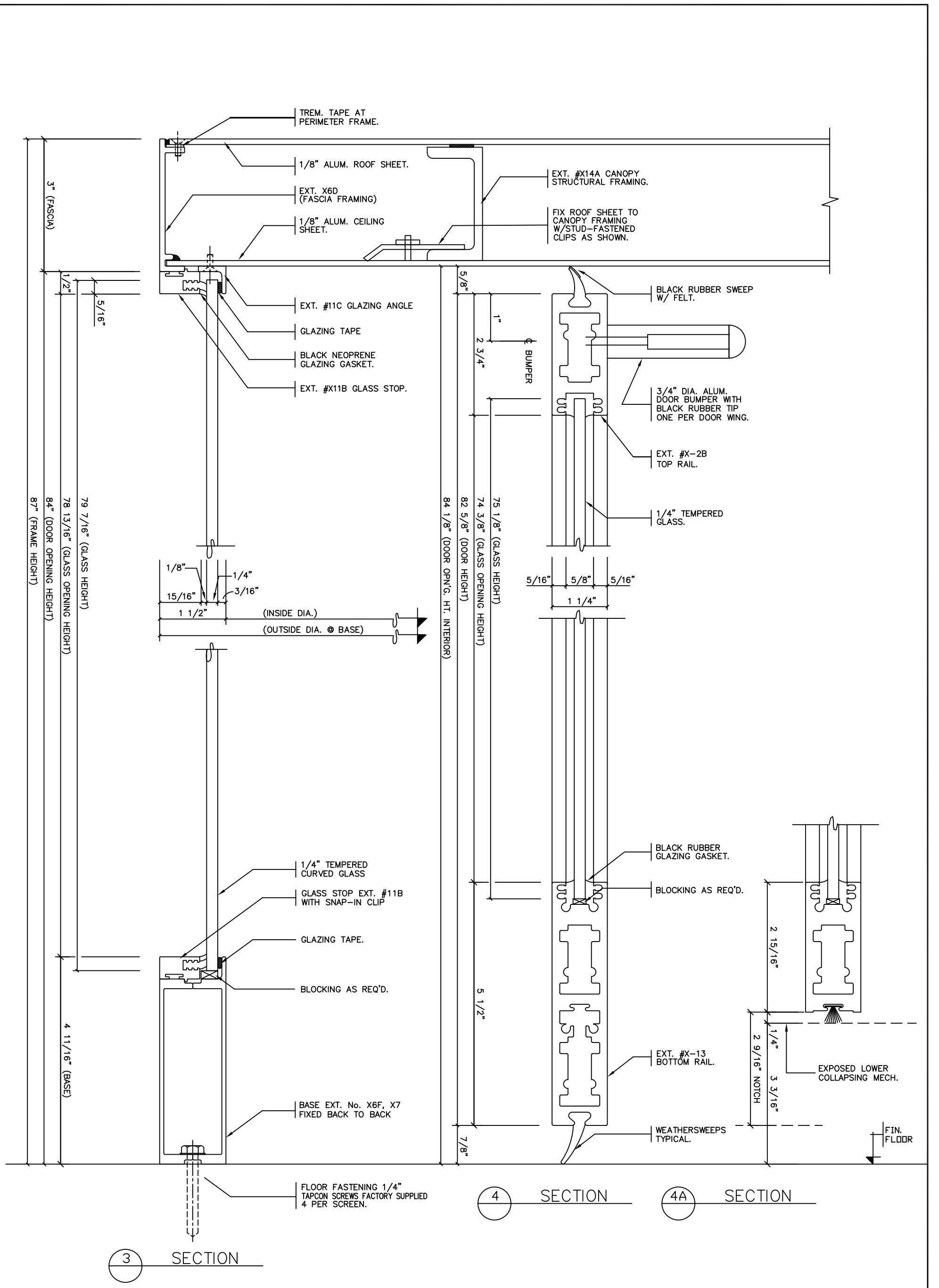


65 RIVERA DRIVE
 MARKHAM, ONT. L3R 5J6
 CANADA

Tel: 888-301-5407
 905-944-8005
 Fax 905-944-8006

500 SERIES REVOLVING DOOR HORIZ-SECTION

BUILDING	
LOCATION	
ARCH-ENG.	
CONTRACTOR	
Drawn by	Job No.
Checked by	
Scale	
Date	Dwg. No.
Finish	02



3 SECTION

4 SECTION

4A SECTION

Date	REVISIONS	By	Issue

IMPORTANT NOTICE

C.J. Rush wishes to bring to your attention the following, for which we assume NO RESPONSIBILITY:

- (1) The use of these drawings by other parties is the sole responsibility of that party as to site conditions, measurements, etc.
- (2) Movement of structures by forces causing mis-alignment and improper function of our product.
- (3) Results of glass breakage causing bodily harm through improper use or mischief.

SPECIAL REFERENCE NOTE

Very often the method of manufacturing as shown on these shop drawings are a development of the skills of the company. Any reproduction and or distribution in whole or in part, without expressed or written consent is strictly prohibited.

C.J. Rush



65 RIVERIA DRIVE
MARKHAM, ONT.
CANADA, L3R 5J6

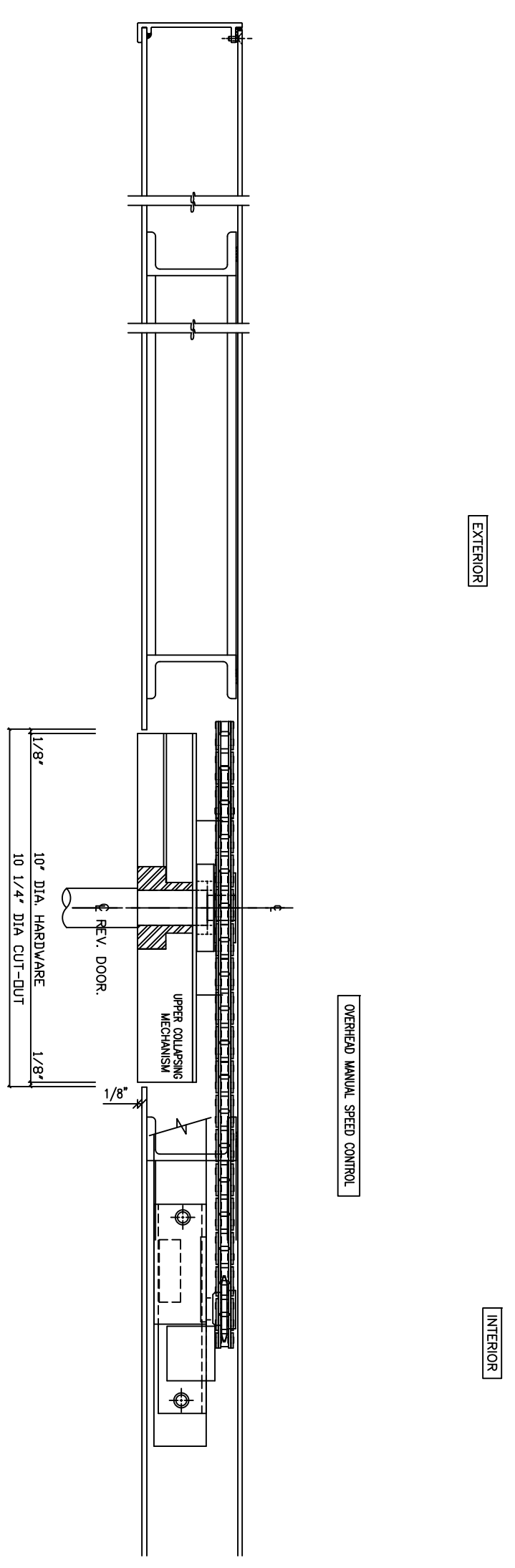
Tel. 888-301-5407
905-944-8005
Fax 905-944-8006

500 SERIES
REVOLVING DOOR
VERTICAL-SECTION

BUILDING	
LOCATION	
ARCH-ENG.	
CONTRACTOR	
Drawn by	Job No.
Checked by	
Scale	
Date	
Finish	Dwg. No.

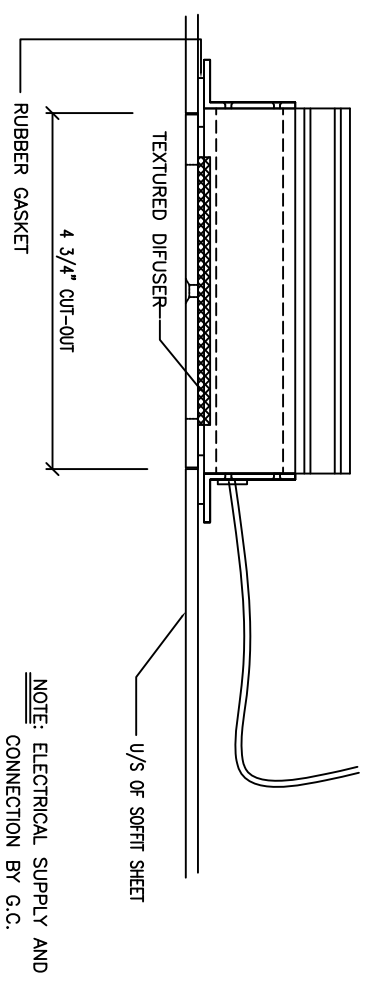
03

NOTE: ABSOLUTELY NO LOAD IS TO BE IMPOSED ON STANLEY/ RUSH CANOPY.



EXTERIOR

INTERIOR



NOTE: ELECTRICAL SUPPLY AND CONNECTION BY G.C.

TYPICAL SECTION THROUGH CANOPY AT CEILING FIXTURE

(OPTIONAL CEILING FIXTURE)

5 SECTION

Date	REVISIONS	By	Issue
No.	ISSUED	Date	

IMPORTANT NOTICE

- C.J. Rush wishes to bring to your attention the following for which we assume NO RESPONSIBILITY:
- (1) The use of these drawings by other parties is the sole responsibility of that party as to site conditions, measurements, etc.
 - (2) Movement of structures by forces causing mis-alignment and improper function of our product.
 - (3) Results of glass breakage causing bodily harm through improper use or mischief.

SPECIAL REFERENCE NOTE

Very often the method of manufacturing as shown on these shop drawings are a development of the skills of the company. Any reproduction and or distribution in whole or in part, without expressed or written consent is strictly prohibited.

C.J. Rush



65 RIVIERA DRIVE
MARKHAM, ONT.
CANADA, L3R 5A6

Tel: 888-301-5407
905-944-8005
Fax: 905-944-8006

500 SERIES
REVOLVING DOOR
CANOPY-SECTION

BUILDING	
LOCATION	
ARCH-ENG.	
CONTRACTOR	
Drawn by	Job No.
Checked by	
Scale	
Date	Dwg. No.
Finish	04