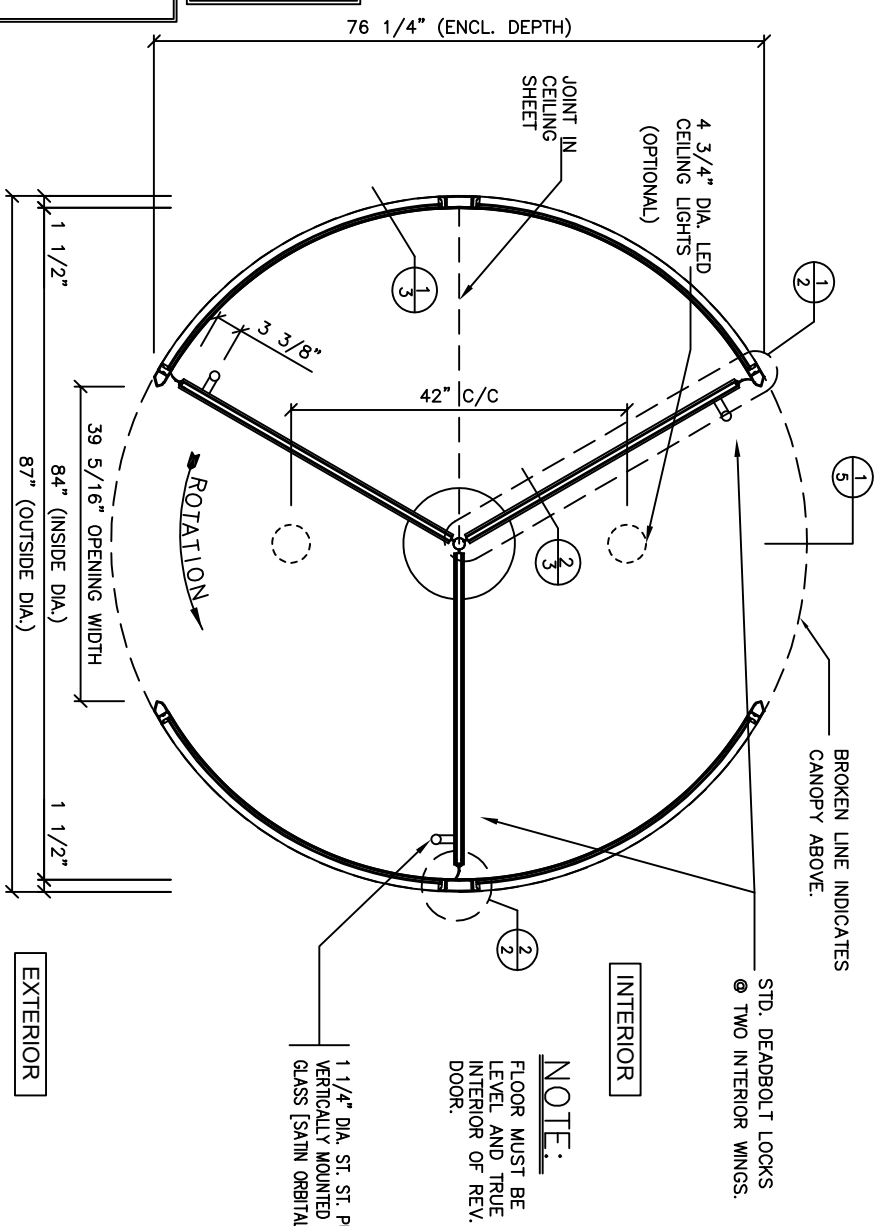


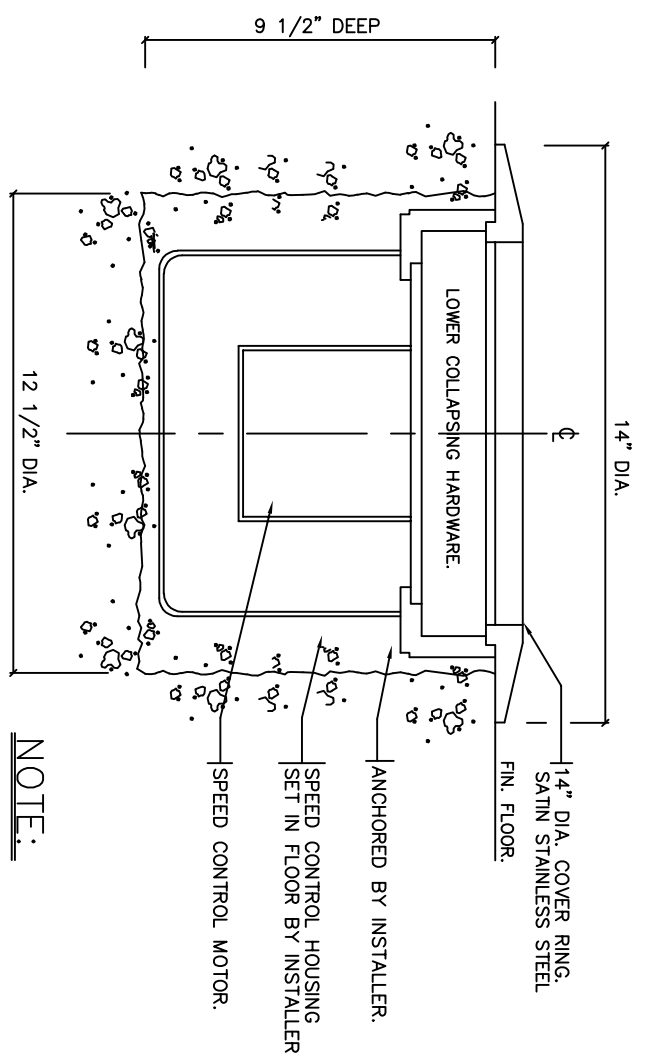
**REVOLVING DOOR ENTRANCE ELEVATION**  
**1 REQUIRED**



**REVOLVING DOOR ENTRANCE PLAN**

SHOP NOTE:  
FINISH= ANODIZED/PAINT  
CURVED GLASS TINT= CLEAR  
DR. WG. GLASS TINT= CLEAR  
CEILING GLASS TINT= CLEAR  
FLOOR MANUAL SPEED CONTROL

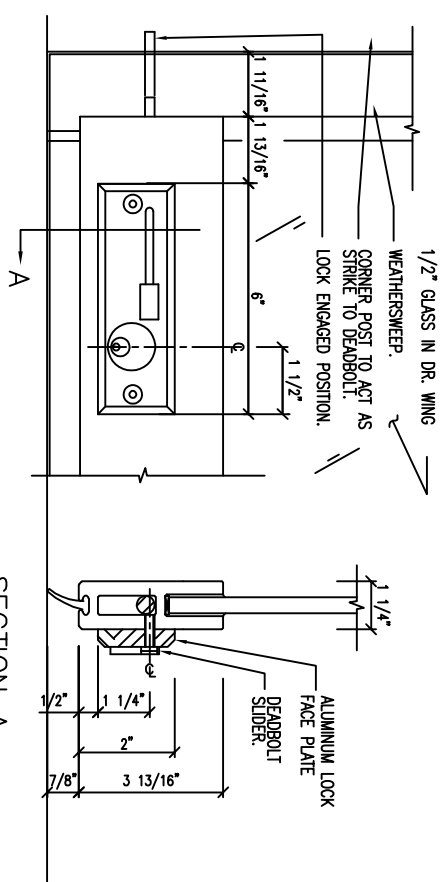
NOTE:  
GENERAL CONTRACTOR TO PROVIDE 110V 15AMP. POWER SUPPLY TO REV. DOOR CEILING LIGHTS INCLUDING ALL WIRING AND ACCESSORIES.



**DETAIL - 3 WING SPEED CONTROL**

SCALE: NONE

NOTE:  
GENERAL CONTRACTOR TO PROVIDE 9 1/2" (241) DEEP X 12 1/2" (318) DIA. RECESS IN SLAB FOR SPEED CONTROL. ALL PREPARATORY WORK TO FLOOR & SLAB BY OTHERS.



**STD. DEADBOLT DETAILS**

SCALE: NONE

Date	REVISIONS	By	Issue
No.	ISSUED	Date	

**IMPORTANT NOTICE**

C.J. Rush wishes to bring to your attention the following, for which we assume NO RESPONSIBILITY:  
(1) The use of these drawings by other parties is the sole responsibility of that party as to site conditions, measurements, etc.  
(2) Movement of structures by forces causing mis-alignment and improper function of our product.  
(3) Results of glass breakage causing bodily harm through improper use or mischief.

**SPECIAL REFERENCE NOTE**

Very often the method of manufacturing as shown on these shop drawings are a development of the skills of the company. Any reproduction and/or distribution in whole or in part, without expressed or written consent is strictly prohibited.

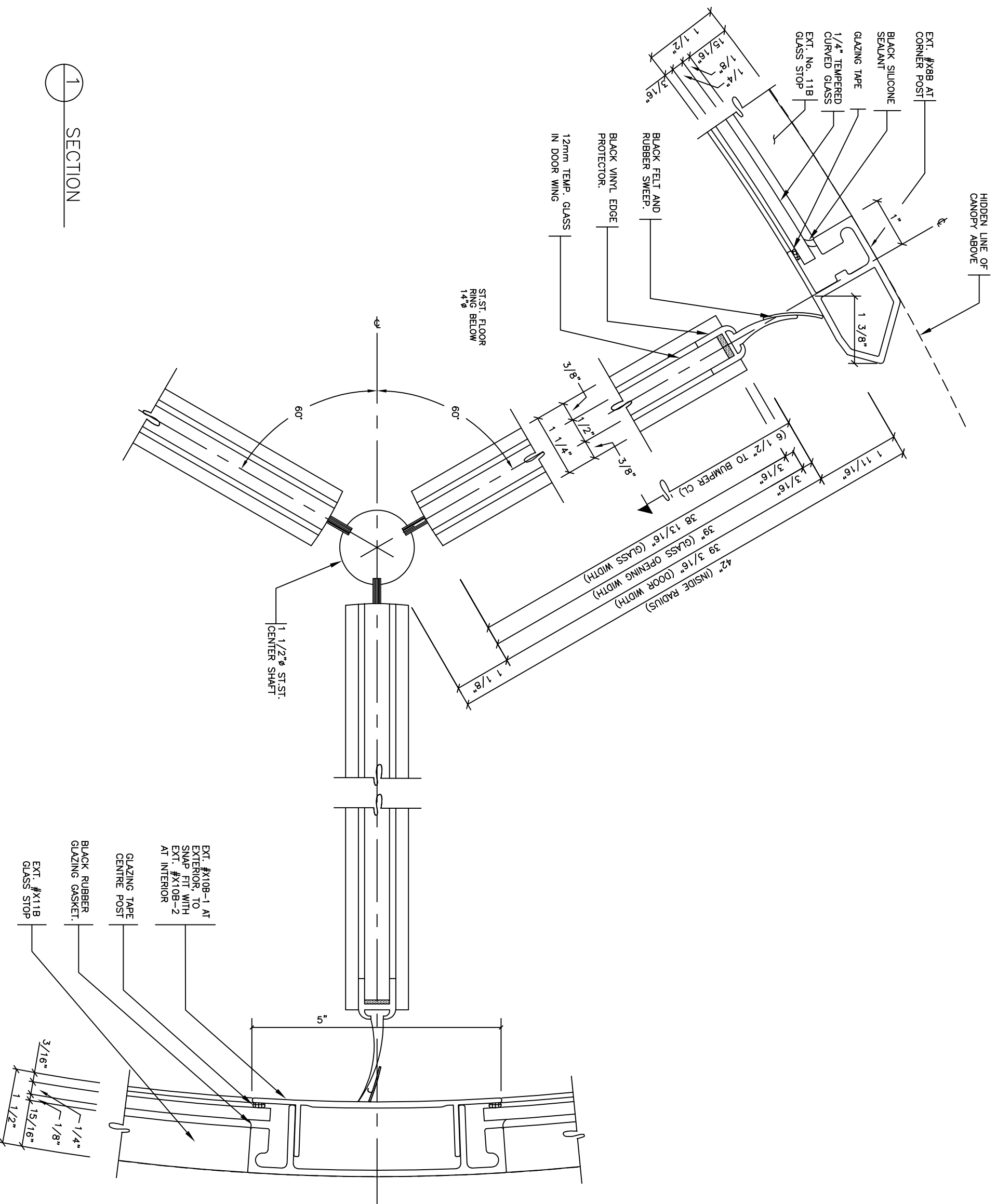
C.J. Rush



65 RIVERA DRIVE  
MARKHAM, ONT.  
CANADA, L3R 5J6  
Tel: 888-301-5407  
905-944-8005  
Fax: 905-944-8006

**3500 SERIES 3 WING REVOLVING DOOR ELEVATION / PLAN / DETAILS**

BUILDING	
LOCATION	
ARCH-ENG.	
CONTRACTOR	
Drawn by	Job No.
Checked by	
Scale	Dwg. No.
Date	01
Finish	



1 SECTION

2 SECTION

Date	REVISIONS	By	Issue

**IMPORTANT NOTICE**

C.J. Rush wishes to bring to your attention the following, for which we assume **NO RESPONSIBILITY**:

- (1) The use of these drawings by other parties is the sole responsibility of that party as to site conditions, measurements, etc.
- (2) Movement of structures by forces causing mis-alignment and improper function of our product.
- (3) Results of glass breakage causing bodily harm through improper use or mischief.

**SPECIAL REFERENCE NOTE**

Very often the method of manufacturing as shown on these shop drawings are a development of the skills of the company. Any reproduction and/or distribution in whole or in part, without expressed or written consent is strictly prohibited.

C.J. Rush

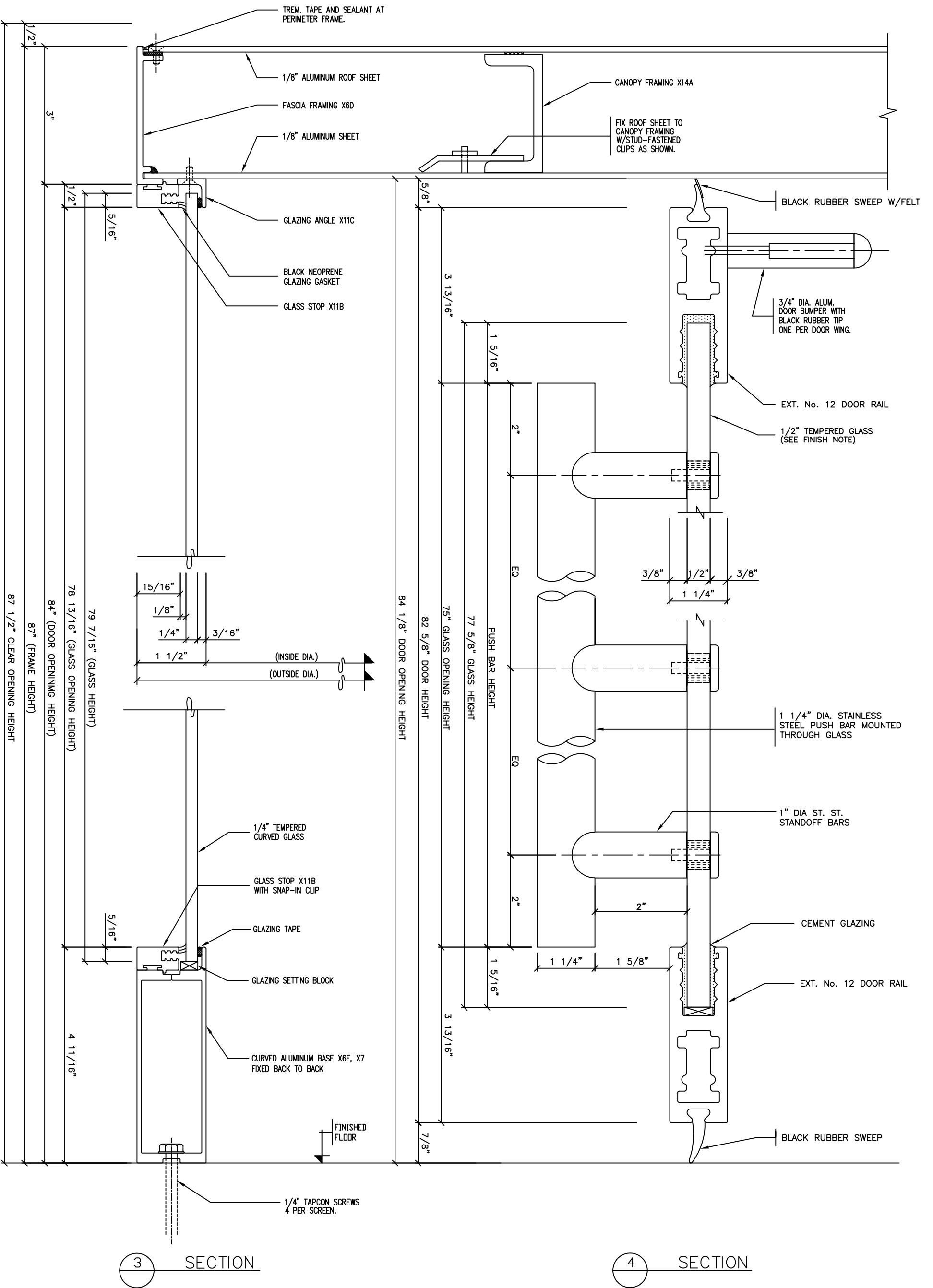


65 RIVERA DRIVE  
 MARKHAM, ONT.  
 CANADA, L3R 5J6

Tel: 888-301-5407  
 905-944-8005  
 Fax: 905-944-8006

**3 WING 3500 SERIES  
 REVOLVING DOOR  
 DETAILS**

BUILDING	
LOCATION	
ARCH-ENG.	
CONTRACTOR	
Drawn by	Job No.
Checked by	
Scale	
Date	Dwg. No.
Finish	02



3 SECTION

4 SECTION

Date	REVISIONS	By	Issue
No.	ISSUED	Date	
	FOR APPROVAL	?	

**IMPORTANT NOTICE**

- C.I. Rush wishes to bring to your attention the following, for which we assume NO RESPONSIBILITY:
- (1) The use of these drawings by other parties is the sole responsibility of that party as to site conditions, measurements, etc.
  - (2) Movement of structures by forces causing misalignment and improper function of our product.
  - (3) Results of glass handling causing bodily harm through improper use or mishandling.

**SPECIAL REFERENCE NOTE**

Very often the method of manufacturing as shown on these shop drawings are a development of the skills of the company. Any reproduction and/or distribution in whole or in part, without expressed or written consent is strictly prohibited.

C.I. Rush



65 RIVERA DRIVE  
 MARKHAM, ONT.  
 CANADA, L3R 5J6  
 Tel: 888-301-5407  
 905-944-8005  
 Fax: 905-944-8006

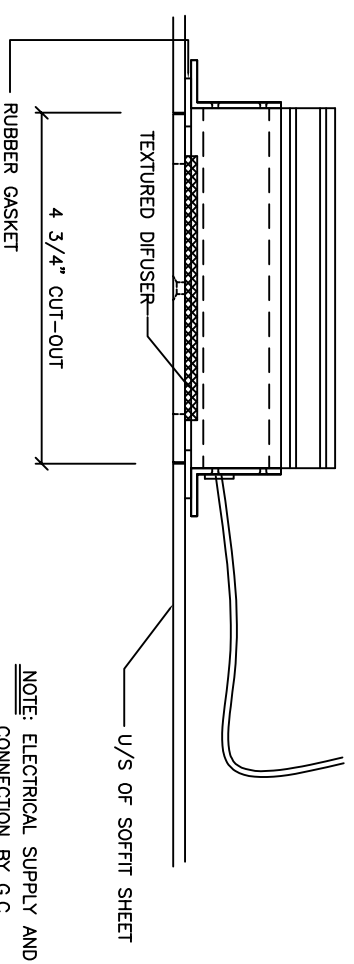
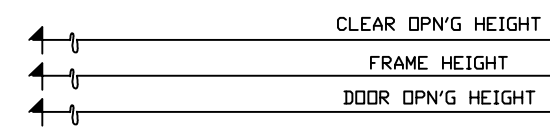
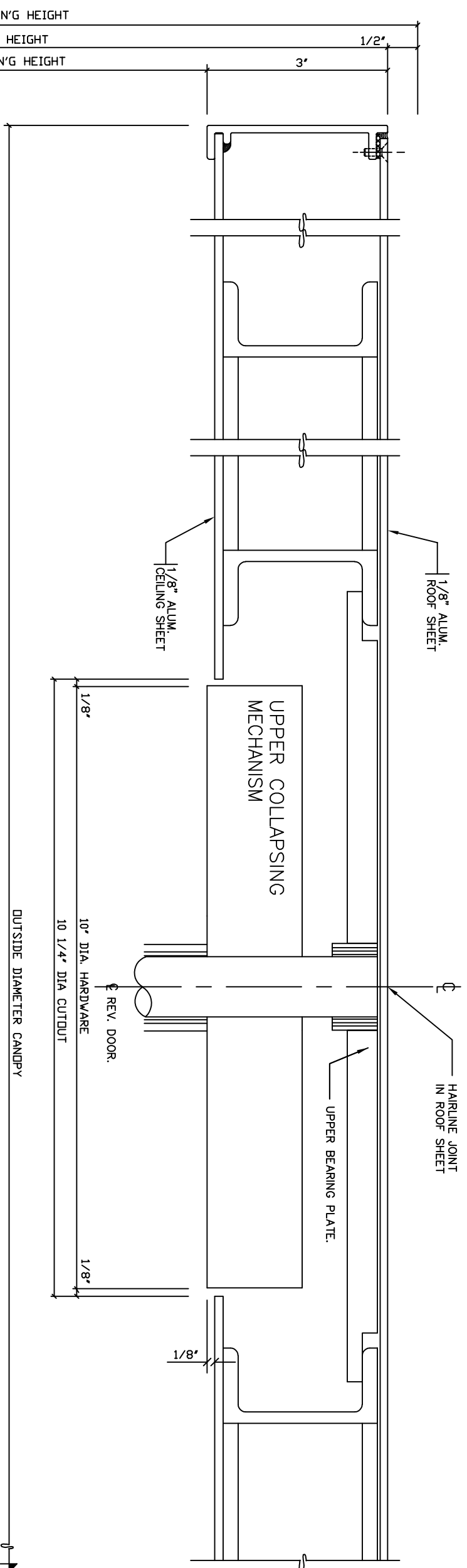
**3 WING 3500 SERIES  
 REVOLVING DOOR  
 SECTION / DETAILS**

BUILDING	
LOCATION	
ARCH-ENG.	
CONTRACTOR	
Drawn by	Job No.
Checked by	
Scale	
Date	Dwg. No. 03
Finish	

EXTERIOR

INTERIOR

NOTE: ABSOLUTELY NO LOAD IS TO BE IMPOSED ON STANLEY / RUSH CANOPY.



NOTE: ELECTRICAL SUPPLY AND CONNECTION BY G.C.

TYPICAL SECTION THROUGH CANOPY AT CEILING FIXTURE  
(OPTIONAL LED CEILING LIGHTS)  
SCALE: NONE

5 SECTION

IMPORTANT NOTICE

- C.I. Rush wishes to bring to your attention the following, for which we assume NO RESPONSIBILITY:
- (1) The use of these drawings by other parties is the sole responsibility of that party as to site conditions, measurements, etc.
  - (2) Movement of structures by forces causing mis-alignment and improper function of our product.
  - (3) Results of glass breakage causing bodily harm through improper use or mishandling.

SPECIAL REFERENCE NOTE

Very often the method of manufacturing as shown on these shop drawings are a development of the skills of the company. Any reproduction and/or distribution in whole or in part, without expressed or written consent is strictly prohibited.

C.I. Rush



65 RIVERA DRIVE  
MARKHAM, ONT.  
CANADA, L3R 5J6

Tel: 888-301-5407  
905-944-8005  
Fax 905-944-8006

3 WING 3500 SERIES  
REVOLVING DOOR  
CANOPY / SECTION

BUILDING	
LOCATION	
ARCH-ENG.	
CONTRACTOR	
Drawn by	Job No.
Checked by	
Scale	
Date	Dwg. No.
Finish	04