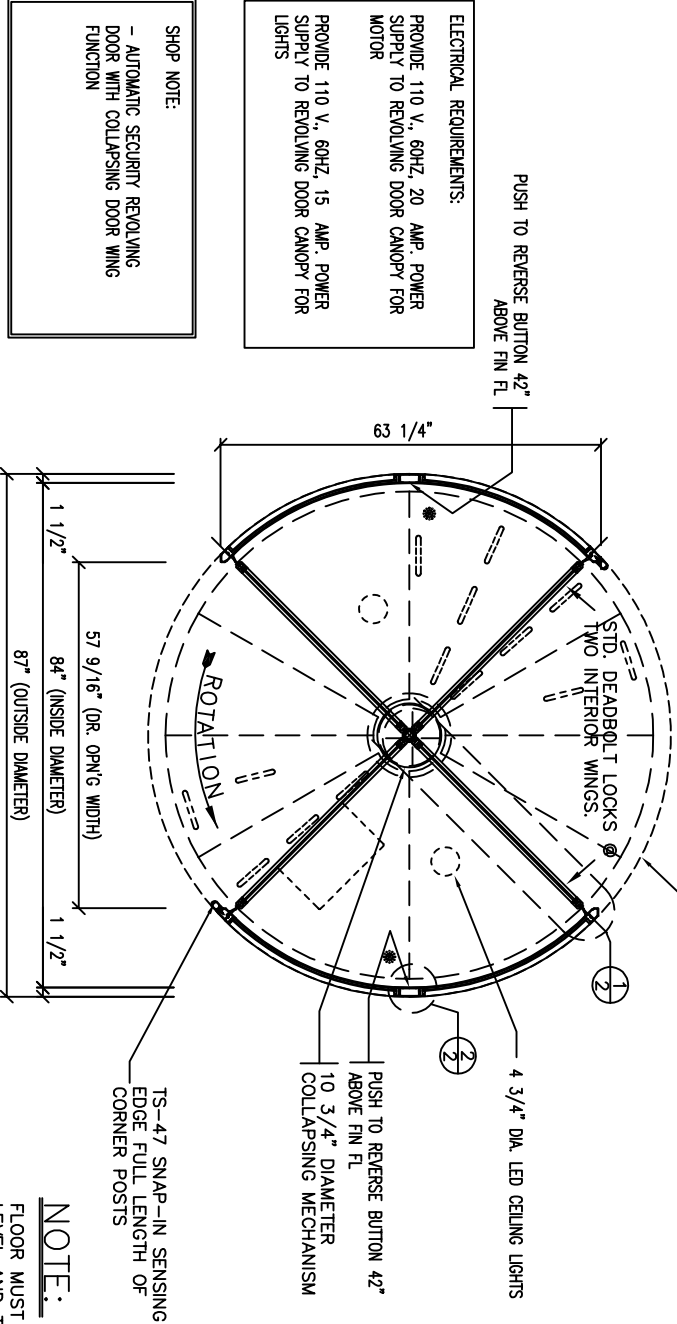


**ENTRANCE ELEVATION**  
3 REQUIRED

NOTE:  
- SECURITY AUTHORIZATION DEVICE BY OTHERS  
- FREE FLOW EXITING

BROKEN LINE INDICATES CANOPY ABOVE.



**ENTRANCE PLAN**

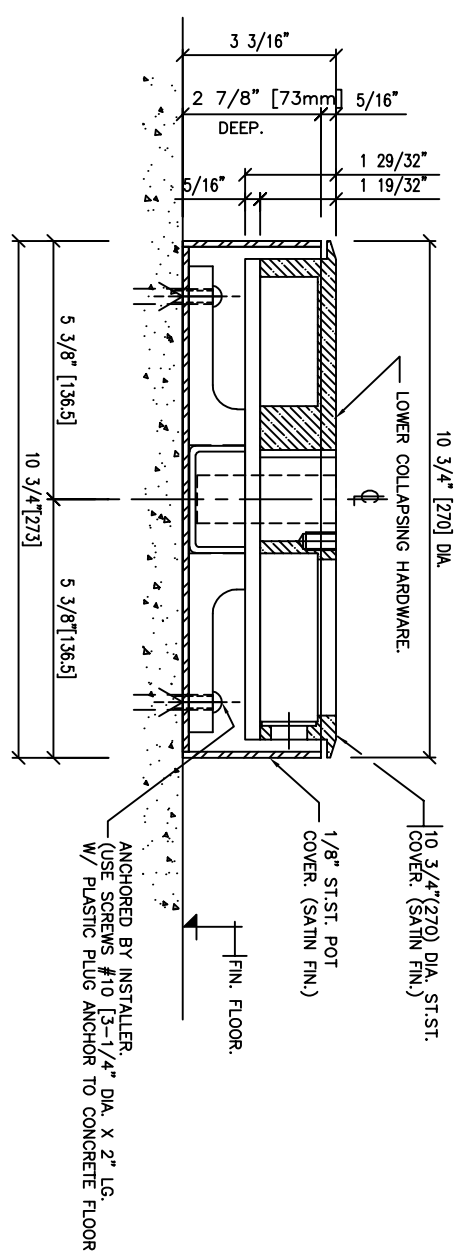
ANTI-PIGGYBACKING IN AND FREE FLOW OUT

NOTE:  
FLOOR MUST BE LEVEL AND TRUE AT INTERIOR OF REV. DOOR.

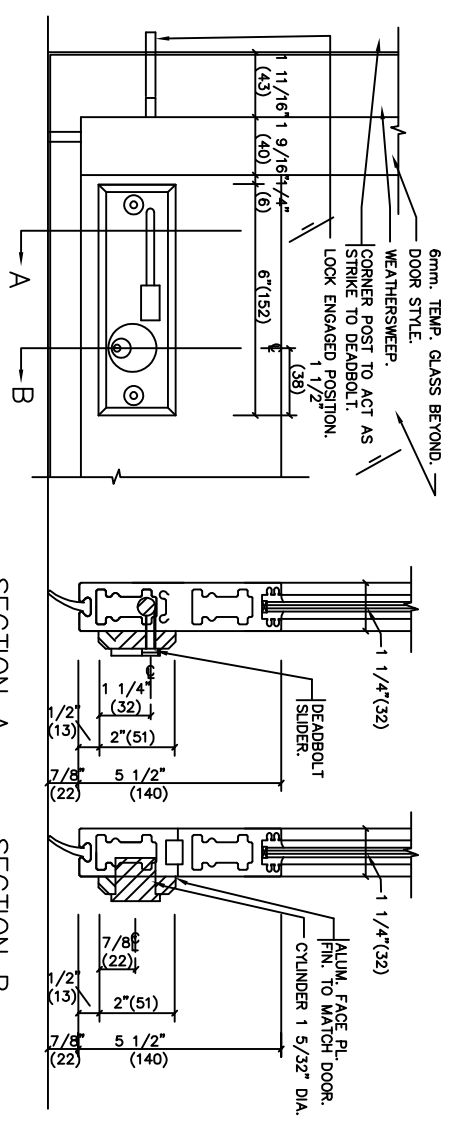
SHOP NOTE:  
- AUTOMATIC SECURITY REVOLVING DOOR WITH COLLAPSING DOOR WING FUNCTION

SHOP NOTE:  
FINISH= PAINTED FINISH  
CURVED GLASS TINT= CLEAR  
DR. WG. GLASS TINT= CLEAR

ELECTRICAL REQUIREMENTS:  
PROVIDE 110 V, 60HZ, 20 AMP. POWER SUPPLY TO REVOLVING DOOR CANOPY FOR MOTOR  
PROVIDE 110 V, 60HZ, 15 AMP. POWER SUPPLY TO REVOLVING DOOR CANOPY FOR LIGHTS



**DETAIL - 4 WING EXPOSED LOWER COLLAPSING MECH.**  
NOT TO SCALE



**STD. DEADBOLT DETAILS**  
SCALE: NONE

**SECURITY REQUIREMENTS**

- CHECK FOR ANTI-TAILGATING SECURITY TO ENTER
- CHECK FOR ANTI-TAILGATING AND ANTI-PIGGYBACKING SECURITY TO ENTER
- CHECK FOR FREE FLOW TO EXIT
- CHECK FOR ANTI-TAILGATING SECURITY TO EXIT
- CHECK FOR ANTI-PIGGYBACKING AND ANTI-TAILGATING SECURITY TO EXIT
- SECURITY AUTHORIZATION DEVICE (CARD READER) BY OTHERS AT EXTERIOR TO ENTER
- SECURITY AUTHORIZATION DEVICE (CARD READER) BY OTHERS AT INTERIOR TO EXIT

Date	REVISIONS	By	Issue
No.	ISSUED	Date	
	FOR APPROVAL	APR 16/19	

**IMPORTANT NOTICE**  
C.J. Rush wishes to bring to your attention the following, for which we assume NO RESPONSIBILITY:  
(1) The use of these drawings by other parties is the sole responsibility of that party as to site conditions, measurements, etc..  
(2) Movement of structures by forces causing misalignment and improper function of our product.  
(3) Results of glass breakage causing bodily harm through improper use or mischief.

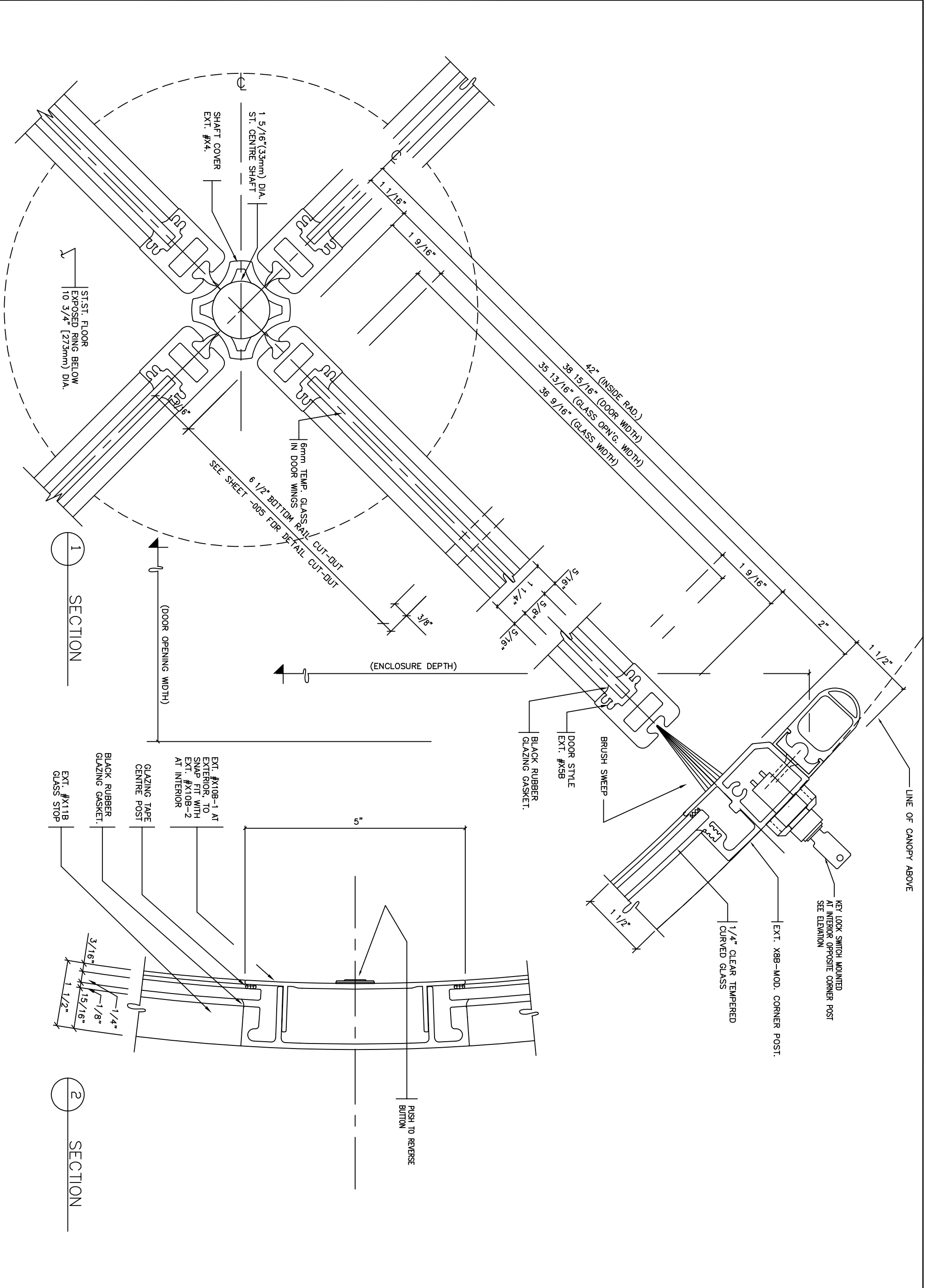
**SPECIAL REFERENCE NOTE**  
Very often, the method of manufacturing as shown on these shop drawings are a development of the skills of the company. Any reproduction and or distribution in whole or in part, without expressed or written consent is strictly prohibited. C.J. Rush



65 RIVERA DRIVE  
MARKHAM, ONT.  
CANADA, L3R 3J6  
Tel: 888-301-5407  
Fax: 905-944-8005  
905-944-8006

**SECURITY DOOR  
PLAN/ELEV/DETAILS**

<b>BUILDING</b>	
<b>LOCATION</b>	
<b>ARCH-ENG.</b>	
<b>CONTRACTOR</b>	SAT.
<b>Drawn by</b>	ET
<b>Checked by</b>	
<b>Scale</b>	
<b>Date</b>	APR 15/19
<b>Finish</b>	01



KEY LOCK SWITCH MOUNTED AT INTERIOR OPPOSITE CORNER POST SEE ELEVATION

EXT. X8B-MOD. CORNER POST.

1/4" CLEAR TEMPERED CURVED GLASS

BRUSH SWEEP

DOOR STYLE EXT. #X5B

BLACK RUBBER GLAZING GASKET.

PUSH TO REVERSE BUTTON

**IMPORTANT NOTICE**

- C.J. Rush wishes to bring to your attention the following, for which we assume NO RESPONSIBILITY:
- (1) The use of these drawings by other parties is the sole responsibility of that party as to site conditions, measurements, etc.
  - (2) Movement of structures by forces causing mis-alignment and improper function of our product.
  - (3) Results of glass breakage causing bodily harm through improper use or mischief.

**SPECIAL REFERENCE NOTE**

Very often the method of manufacturing as shown on these shop drawings are a development of the skills of the company. Any reproduction and/or distribution in whole or in part, without expressed or written consent is strictly prohibited.

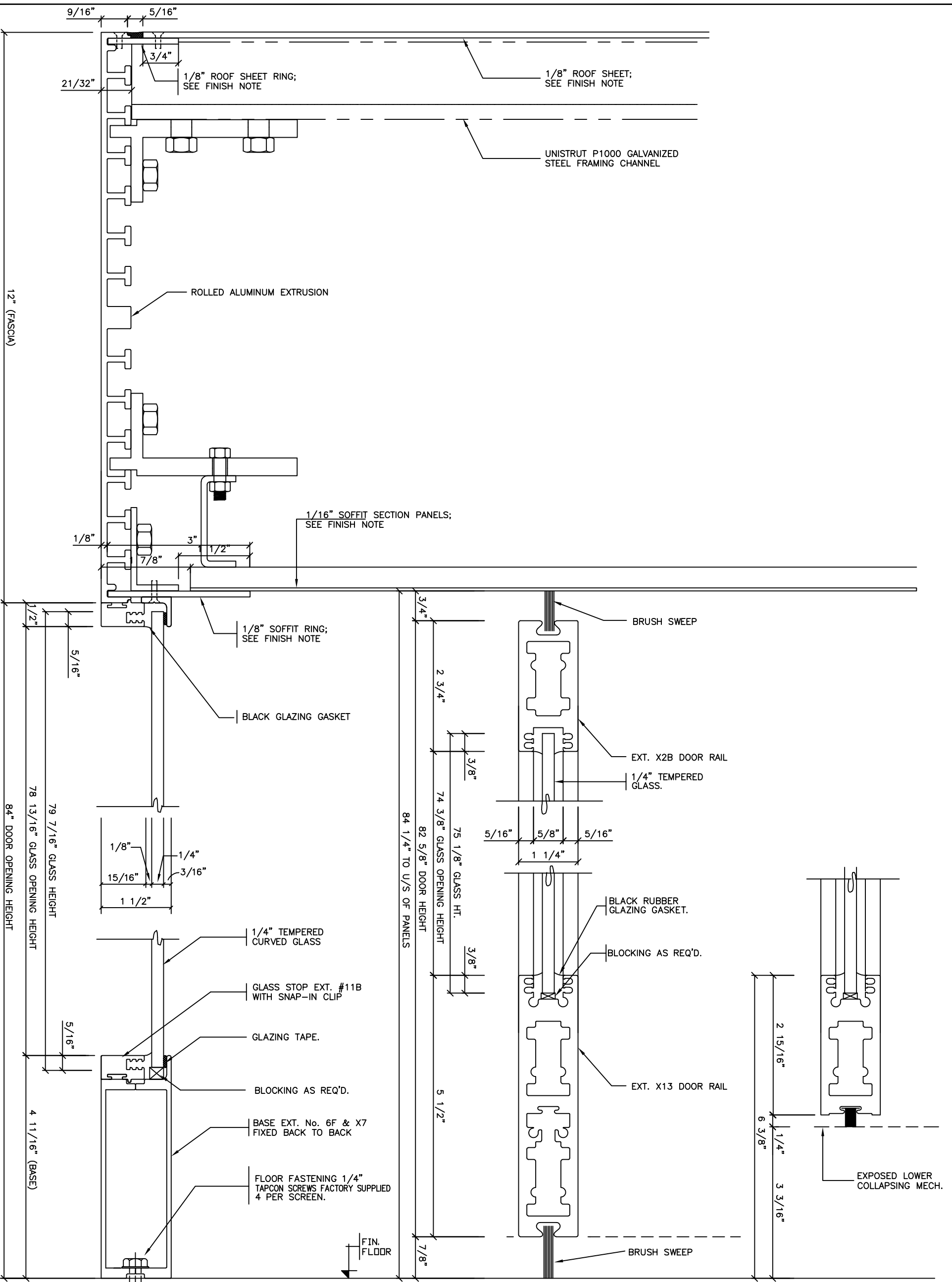
C.J. Rush



65 RIVERA DRIVE  
MARKHAM, ONT.  
CANADA, L3R 5J6  
Tel: 888-301-5407  
905-944-8005  
Fax: 905-944-8006

**SECURITY DOOR  
HORIZ-SECTION**

BUILDING	
LOCATION	
ARCH-ENG.	
CONTRACTOR S.A.T.	
Drawn by ET	Job No.
Checked by	
Scale	
Date APR 15/19	Dwg. No. 02
Finish	



SECTION 2 SECTION 3 SECTION 1

**SECURITY DOOR  
VERTICAL-SECTION**

63 RIVERA DRIVE  
MARRHAM, ONT. L9R 3L6  
CANADA Tel: 888-301-5407  
Fax: 905-944-8005  
905-944-8006



**SPECIAL REFERENCE NOTE**  
Very often the method of manufacturing as shown on these shop drawings are a development of the skills of the company. Any reproduction and or distribution in whole or in part, without expressed or written consent is strictly prohibited.

C.J. Rush

**IMPORTANT NOTICE**  
C.J. Rush wishes to bring to your attention the following, for which we assume **NO RESPONSIBILITY**:  
(1) The use of these drawings by other parties is the sole responsibility of that party as to site conditions, measurements, etc..  
(2) Movement of structures by forces causing mis-alignment and improper function of our product.  
(3) Results of glass breakage causing bodily harm through improper use or mischief.

Date	Revisions	By	Issue

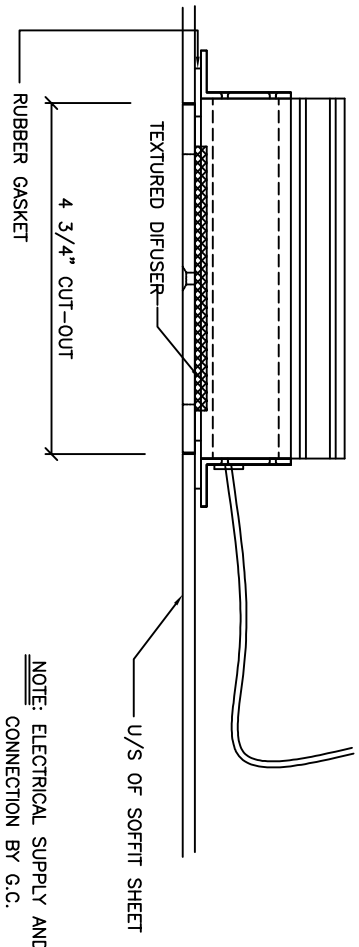
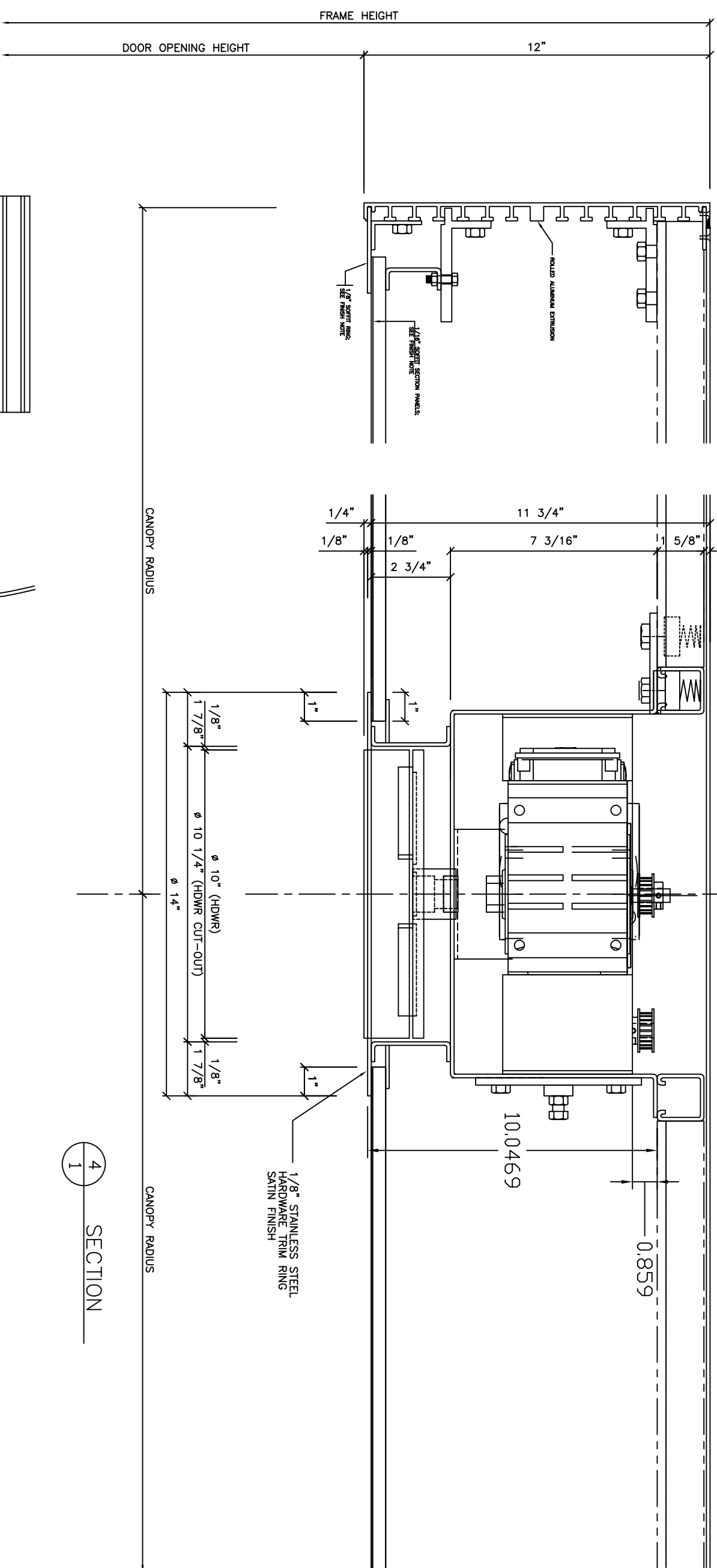
No.	ISSUED	Date

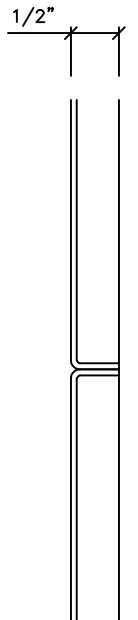
<b>Building</b>	
<b>Location</b>	
<b>Arch-Eng.</b>	
<b>Contractor S.A.T.</b>	
<b>Drawn by</b> ET	<b>Job No.</b>
<b>Checked by</b>	
<b>Scale</b> FEB 14/20	<b>Dwg. No.</b> 03
<b>Date</b>	
<b>Finish</b>	

EXTERIOR

G.C. NOTE:  
ABSOLUTELY NO LOAD  
TO BE IMPOSED ON  
STANLEY / RUSH CANOPY.



NOTE: ELECTRICAL SUPPLY AND  
CONNECTION BY G.C.



SECTION 4  
1

TYPICAL SECTION THROUGH CANOPY AT CEILING FIXTURE

SCALE: NONE

DETAIL AT PANEL JOINTS  
SCALE 2X

Date	REVISIONS	By	Issue
No.	ISSUED	Date	
	FOR APPROVAL	FEB 14/20	

IMPORTANT NOTICE

C.J. Rush wishes to bring to your attention the following, for which we assume NO RESPONSIBILITY:  
(1) The use of these drawings by other parties is the sole responsibility of that party as to site conditions, measurements, etc.  
(2) Movement of structures by forces causing mis-alignment and improper function of our product.  
(3) Results of glass breakage causing bodily harm through improper use or misread.

SPECIAL REFERENCE NOTE

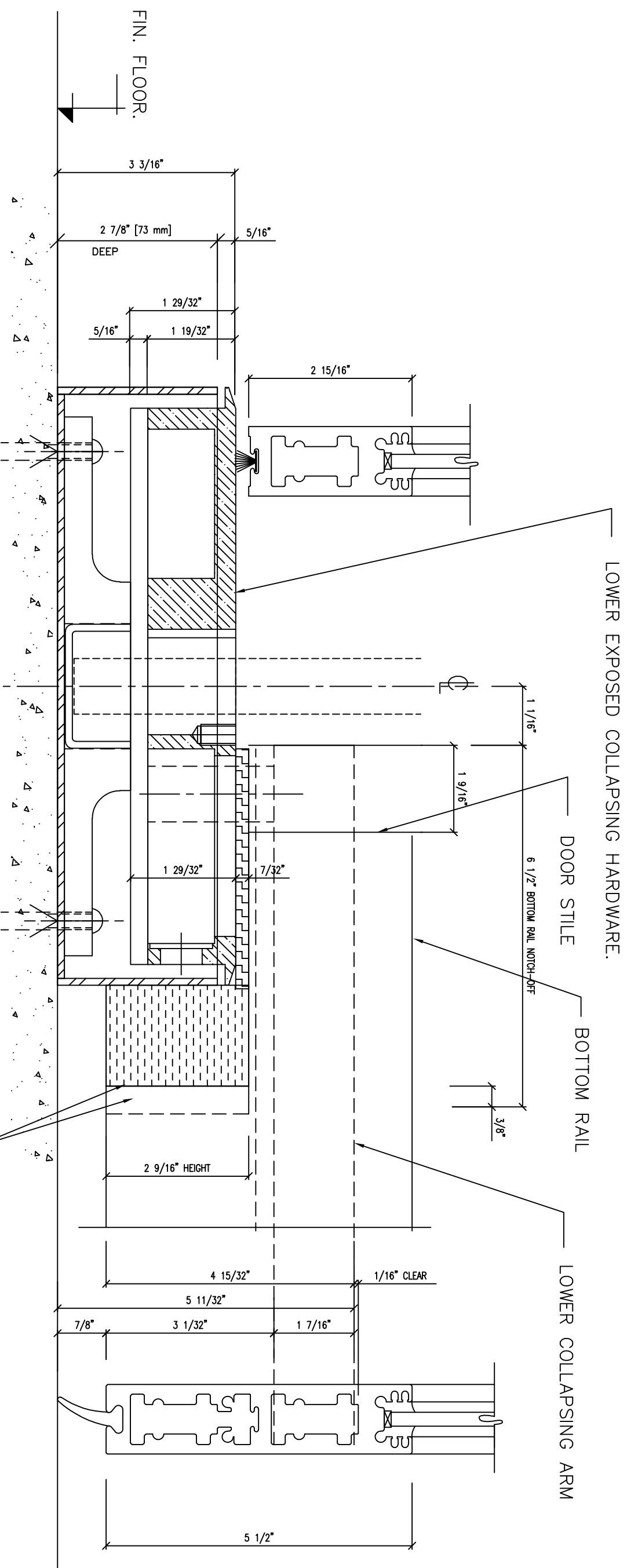
Very often the method of manufacturing as shown on these shop drawings are a development of the skills of the company. Any reproduction and or distribution in whole or in part, without expressed or written consent is strictly prohibited.  
C.J. Rush



65 RIVERA DRIVE  
MARKHAM, ONT.  
CANADA, L3R 5L6  
Tel: 888-301-5407  
905-944-8005  
Fax: 905-944-8006

REVOLVING DOOR  
CANOPY SECTION  
DETAILS

BUILDING	
LOCATION	
ARCH-ENG.	
CONTRACTOR S.A.T.	
Drawn by ET	Job No.
Checked by	
Scale	
Date FEB 14/20	Dwg. No. 04
Finish	



LOWER EXPOSED COLLAPSING HARDWARE.

DOOR STILE  
BOTTOM RAIL

LOWER COLLAPSING ARM

WEATHERSWEEPS HOLDER

**IMPORTANT NOTICE**

- C.I. Rush wishes to bring to your attention the following, for which we assume NO RESPONSIBILITY:
- (1) The use of these drawings by other parties is the sole responsibility of that party as to site conditions, measurements, etc.
- (2) Movement of structures by forces causing mis-alignment and improper function of our product.
- (3) Results of glass handling causing bodily harm through improper use or mishandling.

**SPECIAL REFERENCE NOTE**

Very often the method of manufacturing as shown on these shop drawings are a development of the skills of the company. Any reproduction and/or distribution in whole or in part, without expressed or written consent is strictly prohibited.

C.I. Rush



65 RIVERA DRIVE  
MARKHAM, ONT.  
CANADA, L3R 5J6  
Tel: 888-301-5407  
905-944-8005  
Fax 905-944-8006

**4900 SERIES REVOLVING  
DOOR  
EXPOSED COLLAPSING  
SECTION**

<b>BUILDING</b>	
<b>LOCATION</b>	
<b>ARCH-ENG.</b>	
<b>CONTRACTOR</b>	
Drawn by KH	Job No.
Checked by ET	
Scale	
Date MAY.08/18	Dwg. No. 05
Finish	

**DETAIL -- 4 WING EXPOSED LOWER COLLAPSING MECH.**

NOT TO SCALE