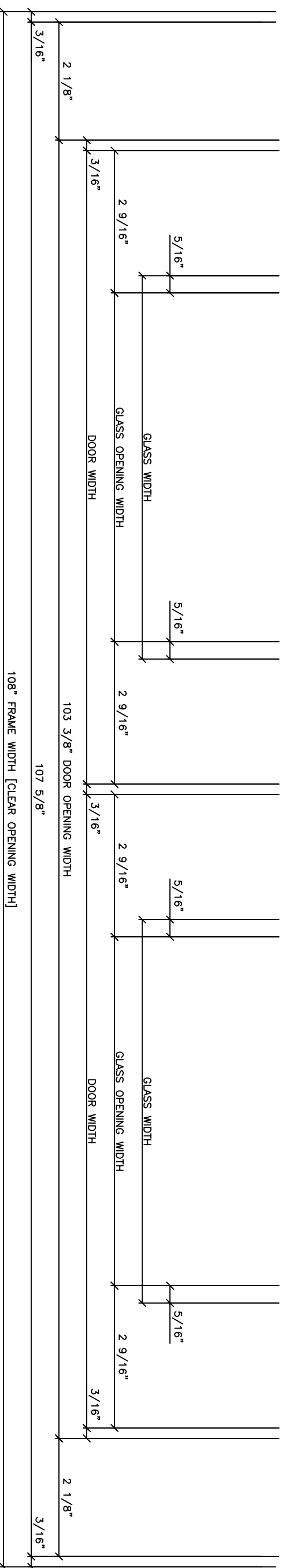
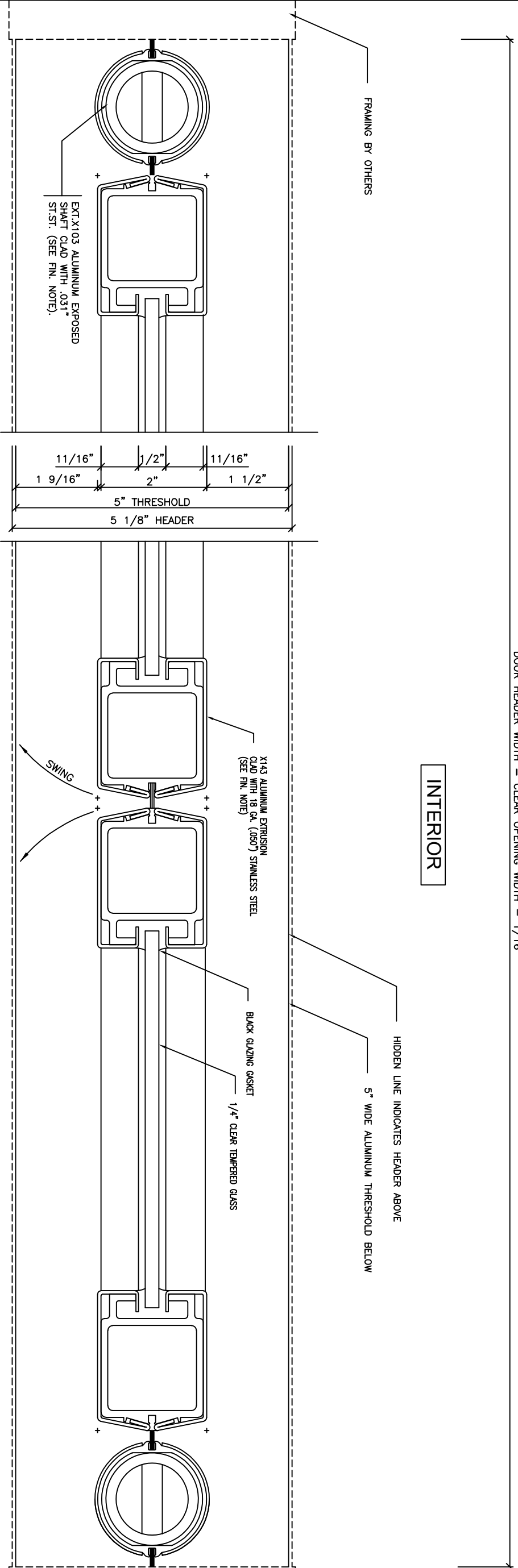


DOOR HEADER WIDTH = CLEAR OPENING WIDTH - 1/16"

INTERIOR



EXTERIOR

1 PLAN DETAIL

Date	REVISIONS	By	Issue
No.	ISSUED	Date	
	FOR APPROVAL	?	

IMPORTANT NOTICE

- C.J. Rush wishes to bring to your attention the following, for which we assume NO RESPONSIBILITY:
- (1) The use of these drawings by other parties is the sole responsibility of that party as to site conditions, measurements, etc.
 - (2) Movement of structures by forces causing mis-alignment and improper function of our product.
 - (3) Results of glass breakage causing bodily harm through improper use or mishandling.

SPECIAL REFERENCE NOTE

Very often the method of manufacturing as shown on these shop drawings are a development of the skills of the company. Any reproduction and/or distribution in whole or in part, without expressed or written consent is strictly prohibited.

C.J. Rush

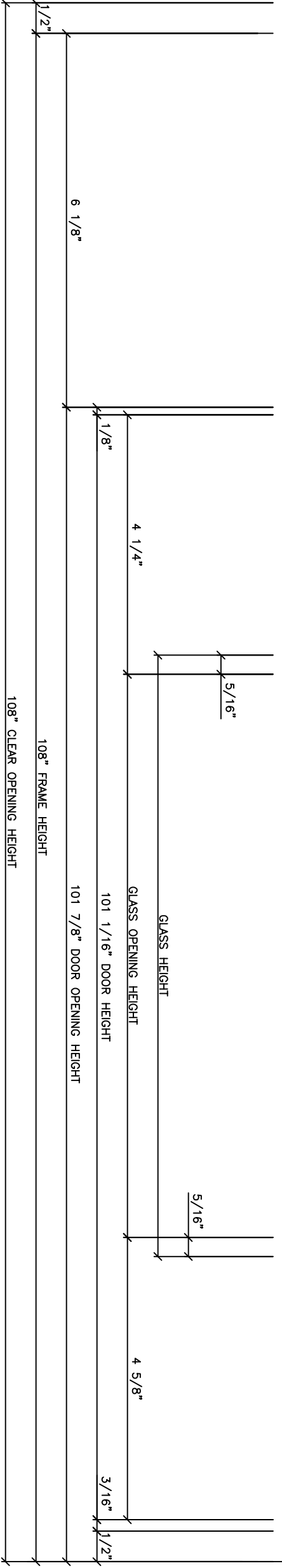
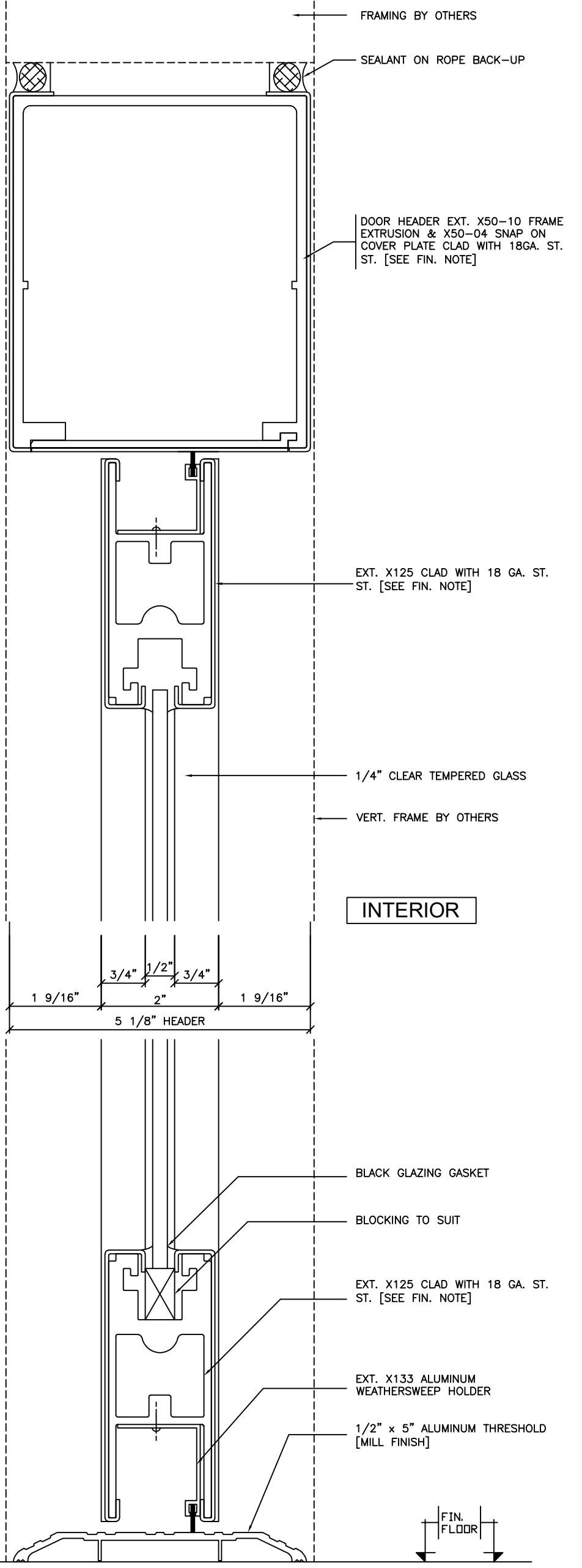


65 RIVERA DRIVE
MARRHAM, ONT.
CANADA, L3R 5J6

Tel: 888-301-5407
905-944-8005
Fax: 905-944-8006

BALANCED DOOR
DETAILS

BUILDING	?
LOCATION	?
ARCH-ENG.	?
CONTRACTOR	?
Drawn by	KH
Checked by	????
Scale	FULL SIZE
Date	?
Finish	02



EXTERIOR

INTERIOR

2 SECTION DETAIL

Date	REVISIONS	By	Issue
No.	ISSUED	Date	
	FOR APPROVAL	?	

IMPORTANT NOTICE

C.J. Rush wishes to bring to your attention the following, for which we assume NO RESPONSIBILITY:

(1) The use of these drawings by other parties is the sole responsibility of that party as to site conditions, measurements, etc.

(2) Movement of structures by forces causing misalignment and improper function of our product.

(3) Results of glass breakage causing bodily harm through improper use or mishandling.

SPECIAL REFERENCE NOTE

Very often the method of manufacturing as shown on these shop drawings are a development of the skills of the company. Any reproduction and/or distribution in whole or in part, without expressed or written consent is strictly prohibited.

C.J. Rush



65 RIVERA DRIVE
 MARKHAM, ONT.
 CANADA, L3R 5J6

Tel: 888-301-5407
 905-944-8005
 Fax: 905-944-8006

BALANCED DOOR
 SECTION / DETAILS

BUILDING ?	
LOCATION ?	
ARCH-ENG.	
CONTRACTOR ?	
Drawn by KH	Job No.
Checked by	???
Scale FULL SIZE	Dwg. No.
Date ?	03