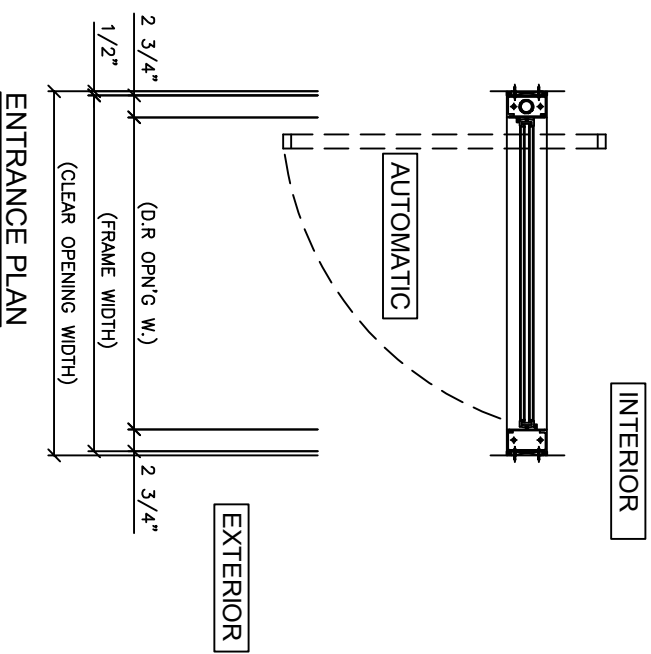


ENTRANCE ELEVATION  
1 REQUIRED



ENTRANCE PLAN

G.C. NOTE:  
MINIMUM DOOR OPENING WIDTH FOR  
SINGLE AUTOMATIC BALANCED DOOR  
IS 39".

**DOOR HARDWARE**

- STANLEY MAGIC FORCE POWER OPERATOR
- CM25/4 PUSH BUTTONS SENT LOOSE, SITE APPLIED
- CRL BPA100F EXIT DEVICE C32D FINISH WITH ESK1BSP ELECTRIC STRIKE AND CYLINDER KEY AT EXTERIOR
- STD. WEATHER SWEEPS, FULL PERIMETER.
- 1/2" X 5" ALUMINUM THRESHOLD (MILL FINISH)

**SHOP NOTE:**

FINISH=  
GLASS TINT = CLEAR

Date	REVISIONS	By	Issue
No.	ISSUED	Date	
	FOR APPROVAL	?	

**IMPORTANT NOTICE**

C.J. Rush wishes to bring to your attention the following, for which we assume NO RESPONSIBILITY:

- (1) The use of these drawings by other parties is the sole responsibility of that party as to site conditions, measurements, etc..
- (2) Movement of structures by forces causing mis-alignment and improper function of our product.
- (3) Results of glass breakage causing bodily harm through improper use or mischief.

**SPECIAL REFERENCE NOTE**

Very often the method of manufacturing as shown on these shop drawings are a development of the skills of the company. Any reproduction and/or distribution in whole or in part, without expressed or written consent is strictly prohibited.

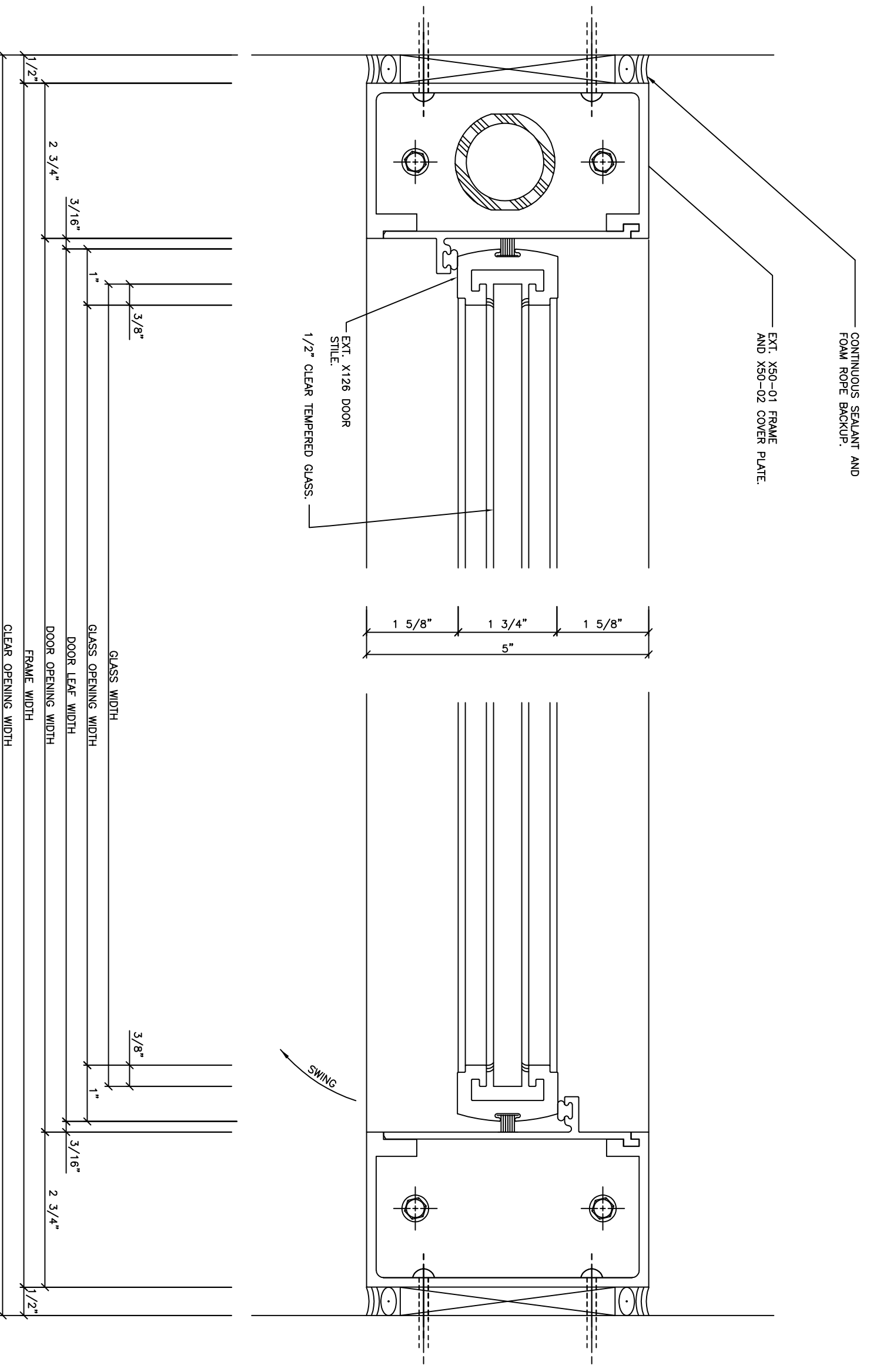
C.J. Rush



65 RIVERA DRIVE  
MARKHAM, ONT.  
CANADA, L3R 3J6  
Tel. 888-301-5407  
Fax 905-944-8005

2030 SERIES  
BALANCED DOOR  
PLAN / ELEVATION

BUILDING ?	Job No.
LOCATION ?	?
ARCH-ENG.	
CONTRACTOR ?	
Drawn by ?	
Checked by ?	
Scale	
Date ?	Dwg. No.
Finish	01



Date	REVISIONS	By	Issue

No.	ISSUED	Date

IMPORTANT NOTICE

C.J. Rush wishes to bring to your attention the following, for which we assume **NO RESPONSIBILITY**:

- (1) The use of these drawings by other parties is the sole responsibility of that party as to site conditions, measurements, etc.
- (2) Movement of structures by forces causing mis-alignment and improper function of our product.
- (3) Results of glass breakage causing bodily harm through improper use or mishandling.

**SPECIAL REFERENCE NOTE**

Very often the method of manufacturing as shown on these shop drawings are a development of the skills of the company. Any reproduction and/or distribution in whole or in part, without expressed or written consent is strictly prohibited.

C.J. Rush

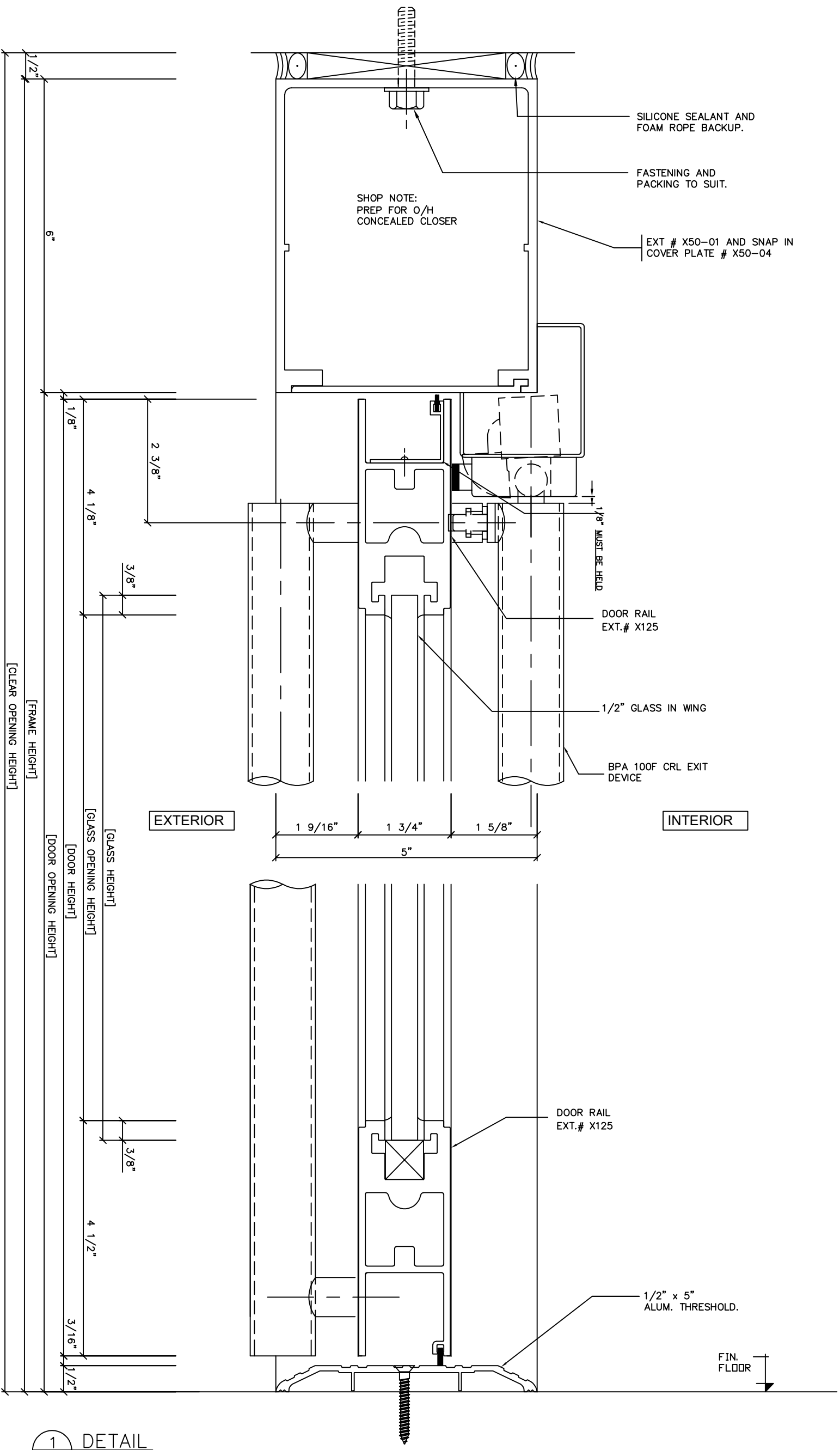


65 RIVERA DRIVE  
 MARKHAM, ONT.  
 CANADA, L3R 5J6

Tel: 888-301-5407  
 905-944-8005  
 Fax 905-944-8006

**2030 SERIES  
 BALANCED DOORS  
 PLAN / DETAILS**

BUILDING	?
LOCATION	?
ARCH-ENG.	?
CONTRACTOR	?
Drawn by	?
Checked by	?
Scale	?
Date	?
Finish	?
Dwg. No.	02



1 DETAIL

Date	REVISIONS	By	Issue
No.	ISSUED	Date	

**IMPORTANT NOTICE**

C.J. Rush wishes to bring to your attention the following, for which we assume NO RESPONSIBILITY:  
 (1) The use of these drawings by other parties is the sole responsibility of that party as to site conditions, measurements, etc.  
 (2) Movement of structures by forces causing misalignment and improper function of our product.  
 (3) Results of glass breakage causing bodily harm through improper use or mischief.

**SPECIAL REFERENCE NOTE**

Very often the method of manufacturing as shown on these shop drawings are a development of the skills of the company. Any reproduction and or distribution in whole or in part, without expressed or written consent is strictly prohibited.

C.J. Rush



65 RIVERA DRIVE  
 MARRHAM, ONT.  
 CANADA, L3R 5J6  
 Tel: 888-301-5407  
 905-944-8005  
 Fax 905-944-8006

**2030 SERIES  
 BALANCED DOORS  
 SECTION / DETAILS**

BUILDING	?
LOCATION	?
ARCH-ENG.	
CONTRACTOR	?
Drawn by	?
Checked by	?
Scale	
Date	?
Finish	
Dwg. No.	03