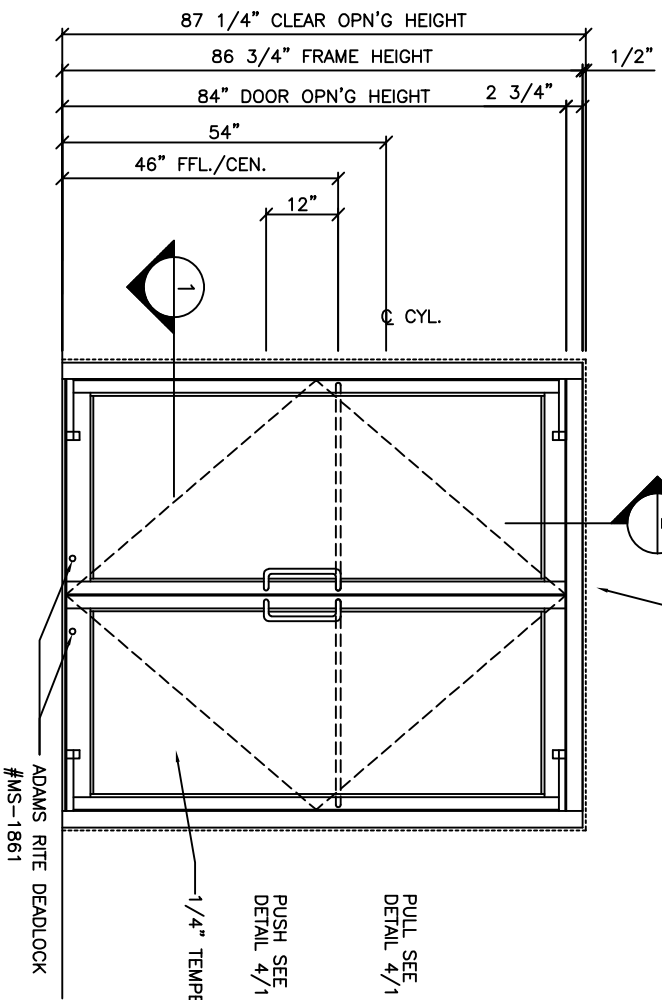
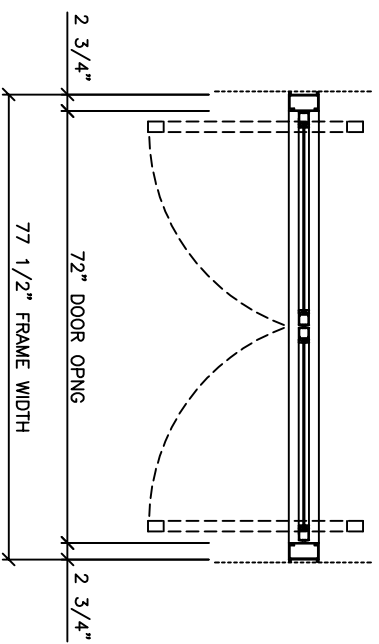


OVERHEAD CONCEALED CLOSER  
LCN# 2030

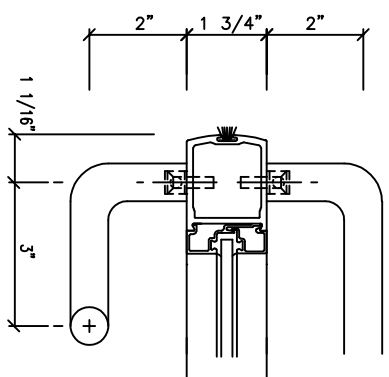


ENTRANCE ELEVATION

1 REQUIRED



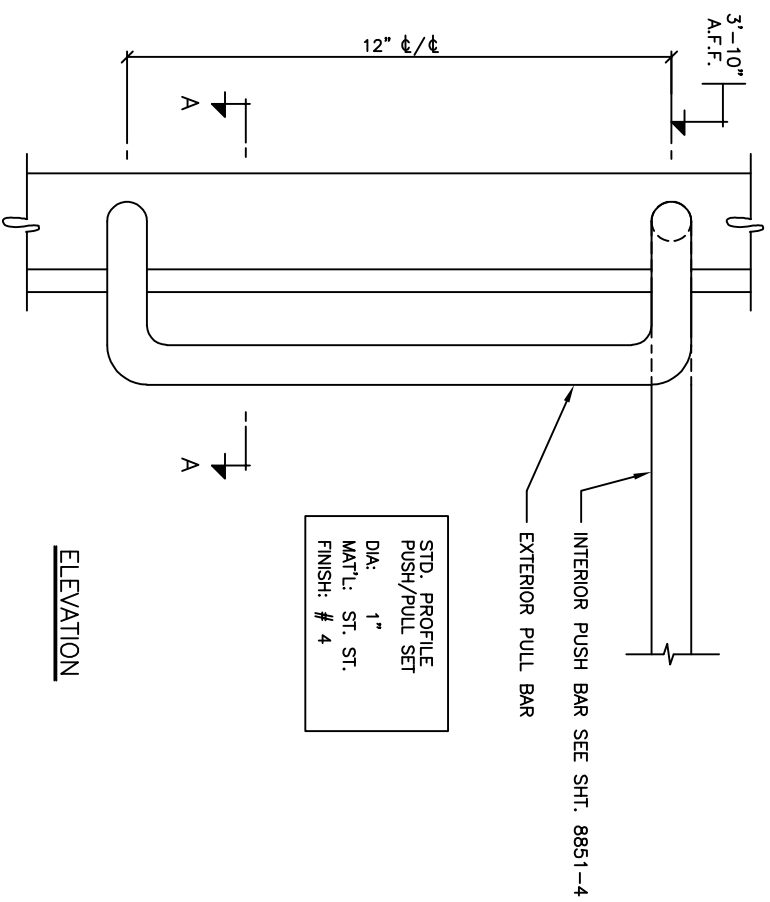
ENTRANCE PLAN



SECTION: A-A.  
INTERIOR

SHOP NOTE:  
FOR LCN 2030 CONCEALED CLOSER  
MINIMUM SIZE OF DOOR OPENING  
WIDTH MUST BE 36" FOR SINGLE  
DOORS, AND 72" FOR PAIRS.

LCN 1461 EXPOSED CLOSER  
TO BE USED FOR DOORS UNDER 36" WIDTH



STD. PROFILE  
PUSH/PULL SET  
DIA: 1"  
MATL: ST. ST.  
FINISH: # 4

ELEVATION

4 DETAIL - PUSH/PULLS

SHOP NOTE:

FINISH= PAINTED / ANODIZED  
1/4" TEMPERED GLASS= CLEAR

DOOR HARDWARE

- STANLEY / RUSH TYPE BALANCED DOOR HARDWARE
- OVERHEAD CONCEALED LCN 2030 SERIES CLOSER
- ADAMS RITE MS 1861 WITH CYLINDER AT EXT., THUMBTURN AT INT.
- 1/2"X3" ALUMINUM EXTRUDED THRESHOLD (MILL FIN.)

IMPORTANT NOTICE

- C.I. Rush wishes to bring to your attention the following, for which we assume NO RESPONSIBILITY:
- (1) The use of these drawings by other parties is the sole responsibility of that party as to site conditions, measurements, etc.
  - (2) Movement of structures by forces causing mis-alignment and improper function of our product.
  - (3) Results of glass breakage causing bodily harm through improper use or mishandling.

SPECIAL REFERENCE NOTE

Very often the method of manufacturing as shown on these shop drawings are a development of the skills of the company. Any reproduction and/or distribution in whole or in part, without expressed or written consent is strictly prohibited.

C.I. Rush



65 RIVERA DRIVE  
MARKHAM, ONT.  
CANADA, L3R 5J6  
Tel: 888-301-5407  
905-944-8005  
Fax: 905-944-8006

2010 SERIES  
BALANCED DOOR  
PLAN / ELEVATION

BUILDING	
LOCATION	
ARCH-ENG.	
CONTRACTOR	
Drawn by	Job No.
Checked by	
Scale	
Date	Dwg. No.
Finish	01



