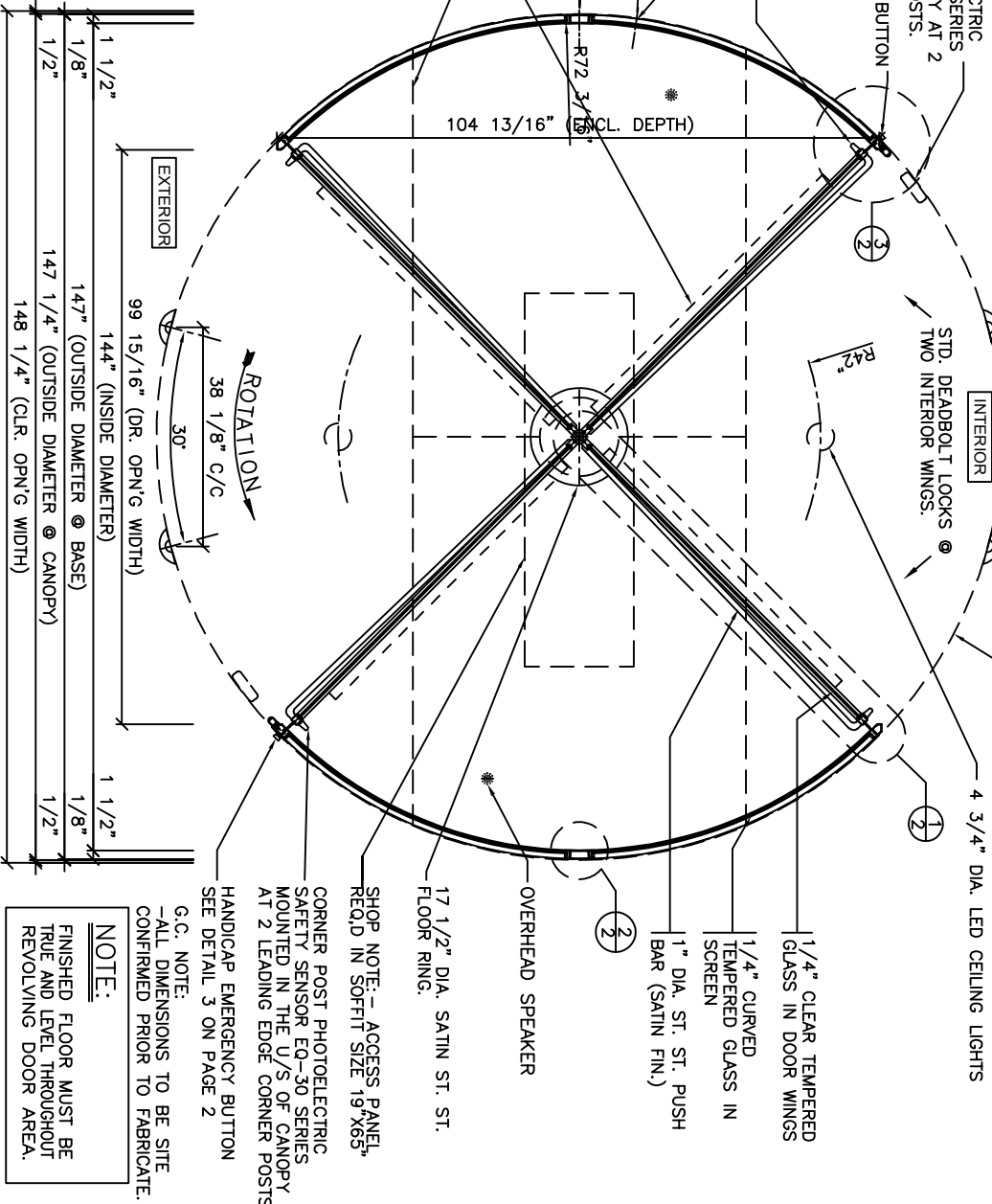


REVOLVING DOOR ENTRANCE ELEVATION

1 REQUIRED

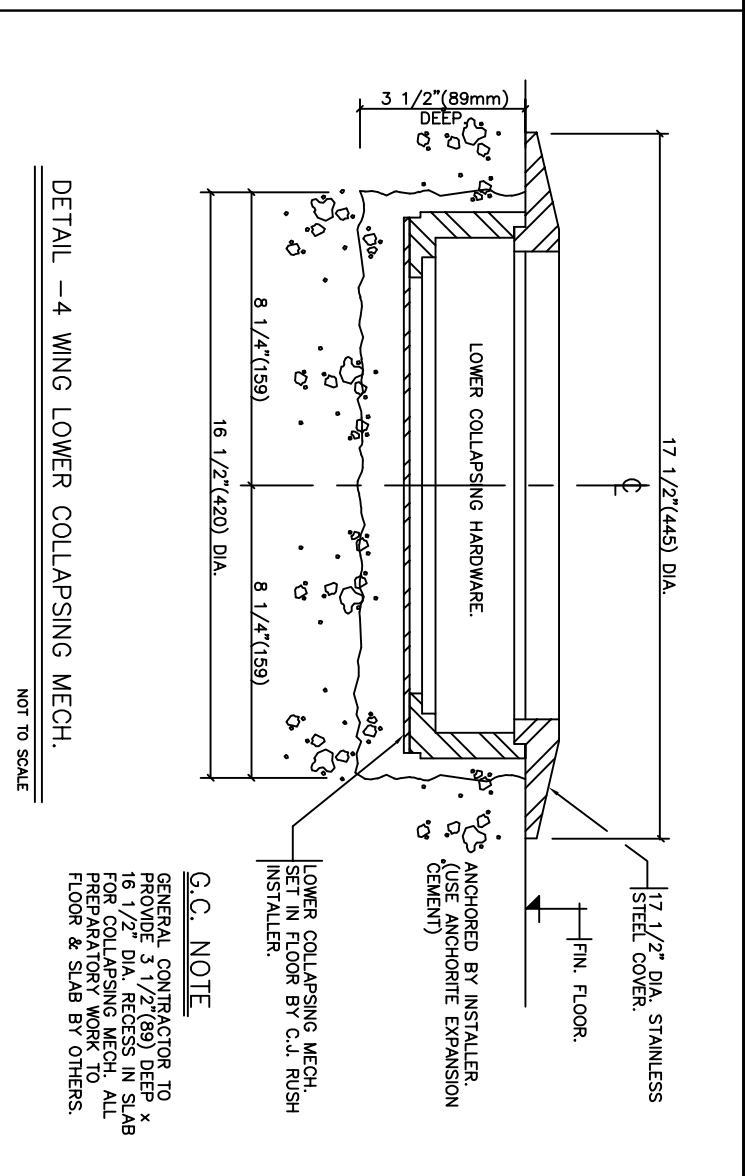
NOTE:
GENERAL CONTRACTOR TO PROVIDE 110V, 60Hz, 15 AMP. POWER SUPPLY REQUIRED TO REV. DOOR AUTOMATIC POWER OPERATOR, INCLUDING ALL WIRING AND ACCESSORIES.

SHOP NOTE:
FINISH= DARK BRONZE ANOD.
CURVED GLASS TINT= CLEAR
DR. WG. GLASS TINT= CLEAR
REV. DOOR OPERATION: OVERHEAD ELECTRIC AUTOMATIC.



NOTE:
GENERAL CONTRACTOR TO PROVIDE 110V, 60Hz, 15 AMP. POWER SUPPLY REQUIRED TO REV. DOOR AUTOMATIC POWER OPERATOR, INCLUDING ALL WIRING AND ACCESSORIES.

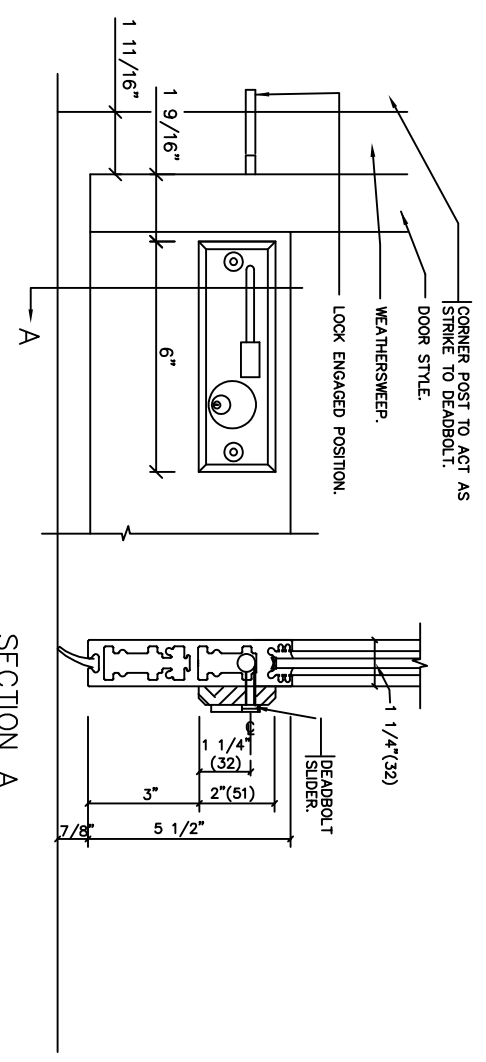
SHOP NOTE:
FINISH= DARK BRONZE ANOD.
CURVED GLASS TINT= CLEAR
DR. WG. GLASS TINT= CLEAR
REV. DOOR OPERATION: OVERHEAD ELECTRIC AUTOMATIC.



DETAIL - 4 WING LOWER COLLAPSING MECH.

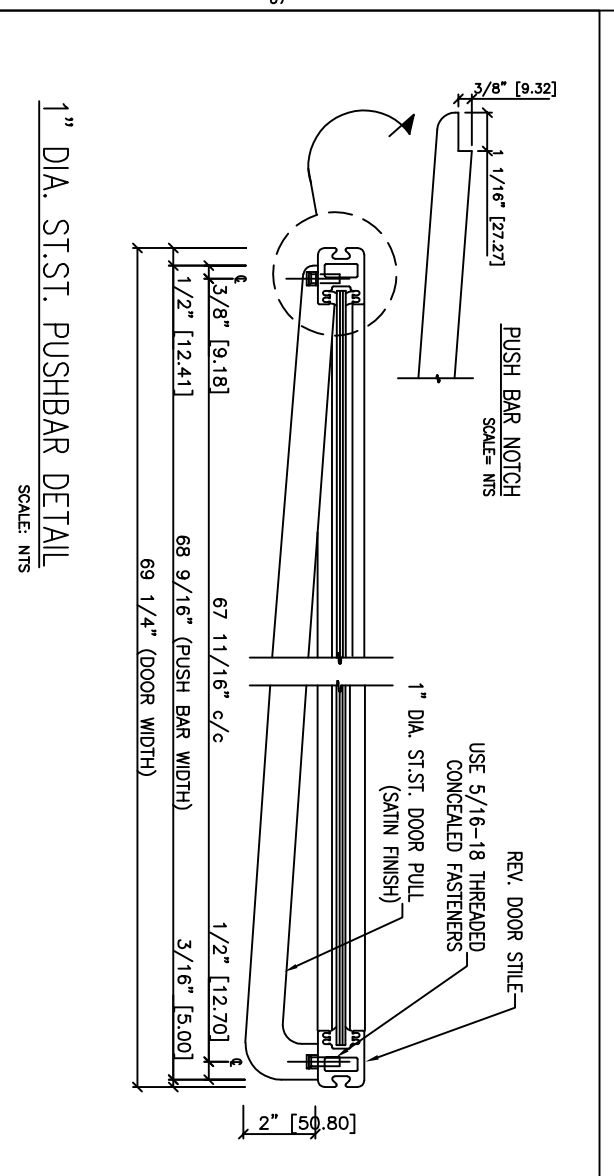
NOT TO SCALE

G.C. NOTE
GENERAL CONTRACTOR TO PROVIDE 3 1/2\"/>



STD. DEADBOLT DETAILS

SCALE: NINE



1\"/>

SCALE: NTS

Date	REVISIONS	By	Issue

IMPORTANT NOTICE

- C.J. Rush wishes to bring to your attention the following, for which we assume NO RESPONSIBILITY:
- The use of these drawings by other parties is the sole responsibility of that party as to site conditions, measurements, etc..
 - Movement of structures by forces causing mis-alignment and improper function of our product.
 - Results of glass breakage causing bodily harm through improper use or mishandling.

SPECIAL REFERENCE NOTE

Very often the method of manufacturing as shown on these shop drawings are a development of the skills of the company. Any reproduction and/or distribution in whole or in part, without expressed or written consent is strictly prohibited.

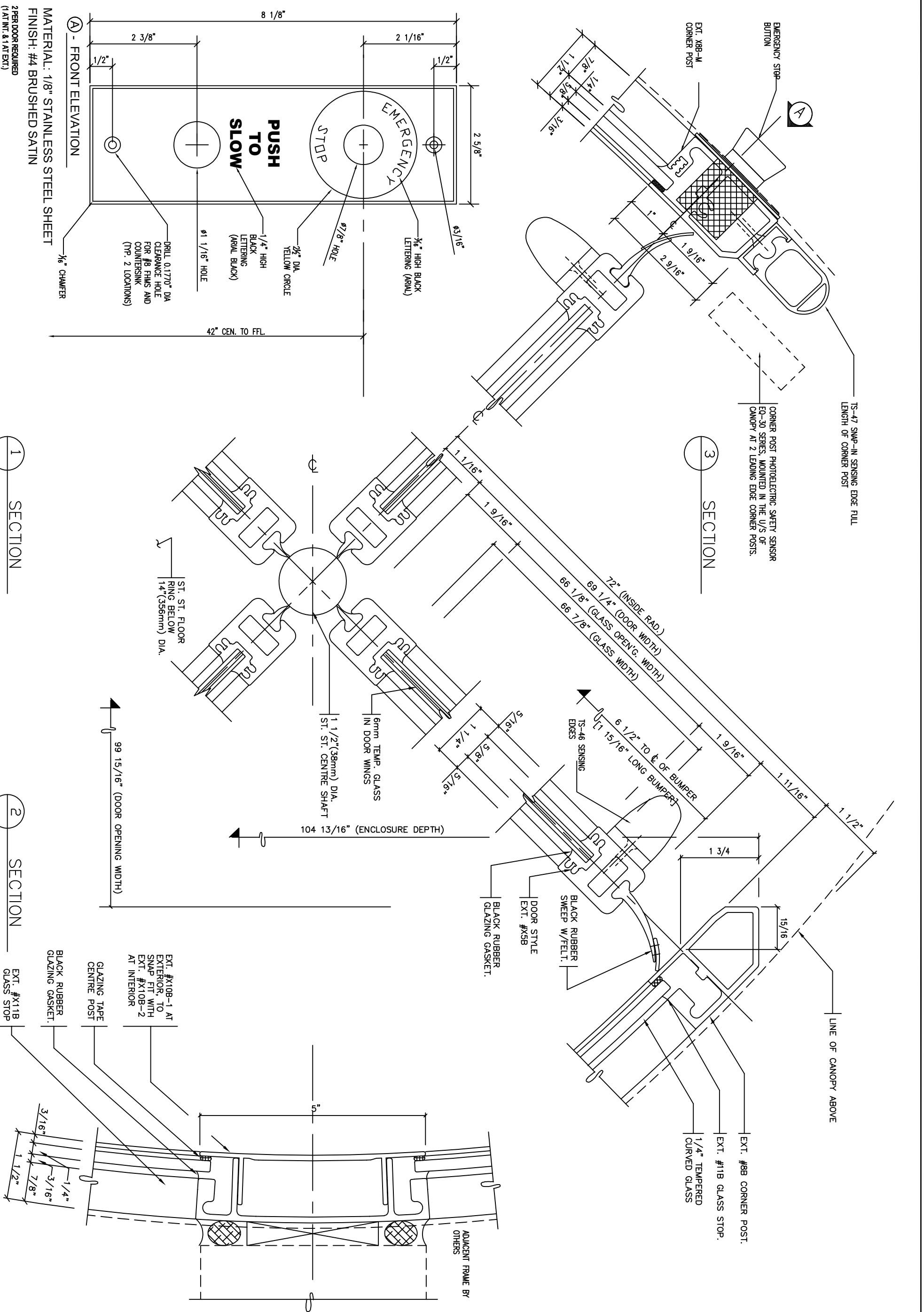
C.J. Rush



65 RIVERDA DRIVE
MARRHAM, ONT.
CANADA, L3R 5J6
Tel: 888-301-5407
905-944-8005
Fax: 905-944-8006

1500 SERIES FULLY AUTOMATIC REVOLVING DOOR PLAN/ELEV/DETAILS

BUILDING	
LOCATION	
ARCH-ENG.	
CONTRACTOR SAT	
Drawn by KH	Job No.
Checked by ET	
Scale	
Date NOV/06/19	Dwg. No.
Finish	



TS-47 SNAP-IN SENSING EDGE FULL LENGTH OF CORNER POST

CORNER POST PHOTOELECTRIC SAFETY SENSOR EQ-30 SERIES, MOUNTED IN THE U/S OF CANOPY AT 2 LEADING EDGE CORNER POSTS.

SECTION 3

SECTION 1

SECTION 2

IMPORTANT NOTICE

- C.J. Rush writes for your attention the following, for which we assume NO RESPONSIBILITY:
- (1) The use of these drawings by other parties is the sole responsibility of that party as to site conditions, measurements, etc.
 - (2) Movement of structures by forces causing misalignment and improper function of our product.
 - (3) Results of glass breakage causing bodily harm through improper use or mishandling.

SPECIAL REFERENCE NOTE

Very often the method of manufacturing as shown on these shop drawings are a development of the skills of the company. Any reproduction and/or distribution in whole or in part, without expressed or written consent is strictly prohibited.

C.J. Rush



65 RIVERA DRIVE
 MARKHAM, ONT.
 CANADA, L3R 5J6
 Tel: 888-301-5407
 905-944-8005
 Fax: 905-944-8006

**1500 SERIES
 REVOLVING DOOR
 HORIZ-SECTION**

BUILDING	
LOCATION	
ARCH-ENG.	
CONTRACTOR	
Drawn by KH	Job No.
Checked by ET	
Scale FULL SIZE	Dwg. No.
Date NOV/06/19	02
Finish AS SHOWN	

